



Kit 78675

10th Gen Honda Accord

Rear Application



INSTALLATION GUIDE

For maximum effectiveness and safety, please read these instructions completely before proceeding with installation.

Failure to read these instructions can result in an incorrect installation.



TABLE OF CONTENTS

A. Introduction	2
Notation Explanation	2
B. Important Safety Notices	2
C. Installation Diagram	3
Hardware List	3
D. Installing the Air Suspension	4
Removing the Stock Suspension	4
Installing the Air Suspension	7
Routing the Air Lines	9
E. Before Operating	10
Torque Specifications	10
Suggested Driving Air Pressure and Maximum Air Pressure	10
Check for Binding	10
Installation Checklist	11
Damping Adjustment	11
Limited Warranty and Return Policy	13



A. Introduction

Air Lift Performance thanks you for purchasing the most complete, fully engineered high-performance air suspension made for the 10th Gen Honda Accord. Read these installation instructions to correctly and safely set up the vehicle for a #lifeonair.

Air Lift assumes that the installer has the mechanical knowledge and ability to work on vehicle suspension systems and has basic tools necessary to complete a suspension replacement project. Special tools needed to complete the installation are noted on the Installation Diagram page.

Air Lift reserves the right to make changes and improvements to its products and publications at any time. For the latest version of this manual, contact Air Lift Performance at **(800) 248-0892** or visit **www.airliftperformance.com**.

An Air Lift Performance air management system is highly recommended for this product. Learn more at **air-lift.co/productlines**.

NOTATION EXPLANATION

Hazard notations appear in various locations in this publication. Information which is highlighted by one of these notations must be observed to help minimize risk of personal injury or possible improper installation which may render the vehicle unsafe. Notes are used to help emphasize areas of procedural importance and provide helpful suggestions. The following definitions explain the use of these notations as they appear throughout this guide.



INDICATES IMMEDIATE HAZARDS WHICH WILL RESULT IN SEVERE PERSONAL INJURY OR DEATH.



INDICATES HAZARDS OR UNSAFE PRACTICES WHICH COULD RESULT IN SEVERE PERSONAL INJURY OR DEATH.



INDICATES HAZARDS OR UNSAFE PRACTICES WHICH COULD RESULT IN DAMAGE TO THE VEHICLE OR MINOR PERSONAL INJURY.

NOTE

Indicates a procedure, practice or hint which is important to highlight.

B. Important Safety Notices



DO NOT INFLATE AIR SPRINGS WHILE OFF OF THE VEHICLE. DAMAGE TO ASSEMBLY MAY RESULT AND VOID WARRANTY.



DO NOT WELD TO OR MODIFY PERFORMANCE STRUTS/SHOCKS IN ANY WAY. DAMAGE TO UNIT MAY OCCUR AND WILL VOID WARRANTY.



AFTER INSTALLATION, ENSURE ALL ORIGINAL EQUIPMENT VEHICLE SAFETY FEATURES ARE PROPERLY CALIBRATED BY A QUALIFIED TECHNICIAN. CHANGING VEHICLE HEIGHT MAY AFFECT FUNCTIONING OF SAFETY SENSORS AND CAMERAS.

C. Installation Diagram

*This kit comes with the upper bracket and 4 bolts already assembled to the air spring

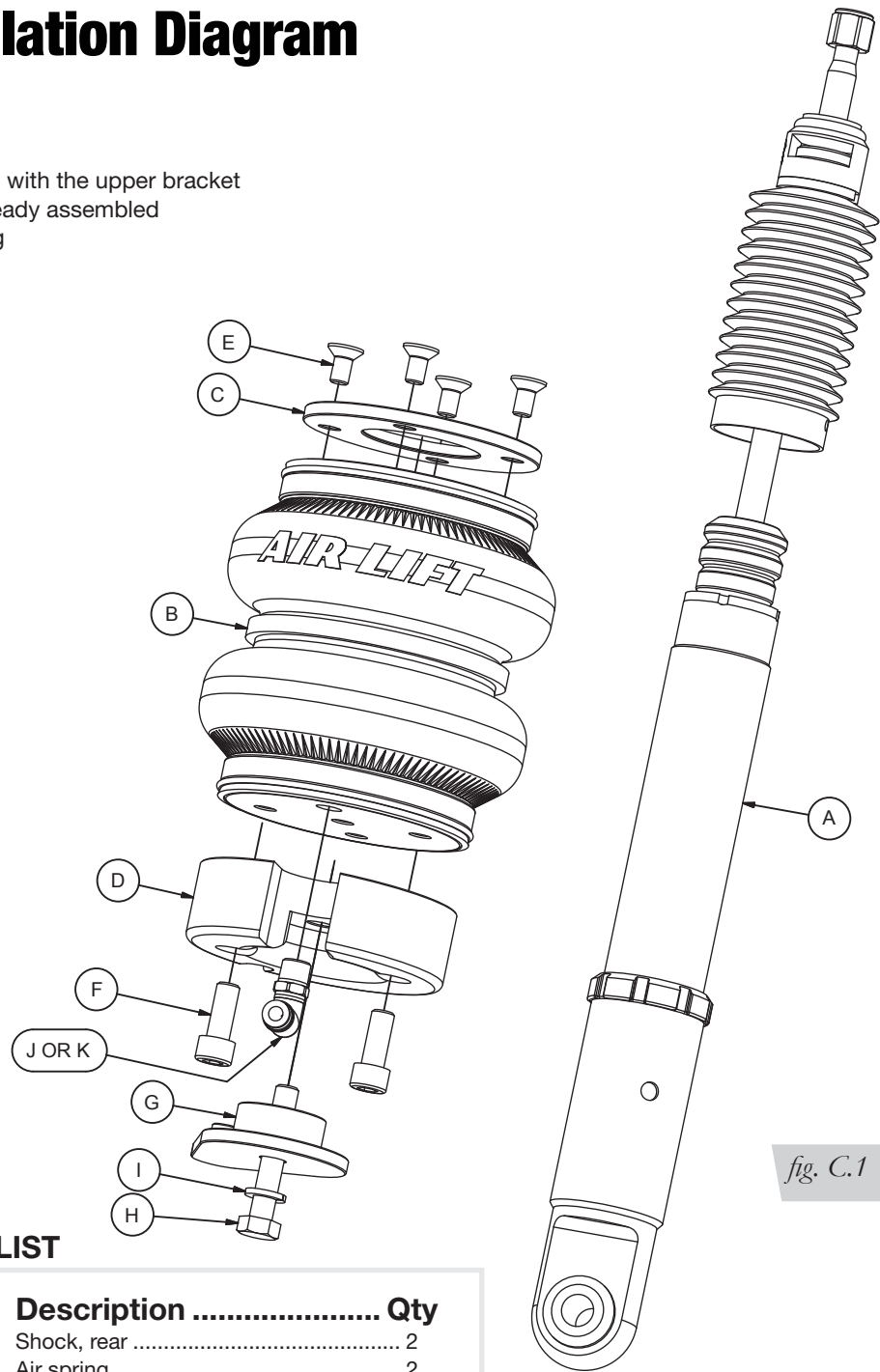


fig. C.1

HARDWARE LIST

Item	Part #	Description	Qty
A	26606	Shock, rear	2
B	58555	Air spring	2
C	13326	Upper spacer	2
D	03050	Lower bracket.....	2
E	17929	M8-1.25x16 bolt	8
F	17516	M10-1.5x25 bolt	4
G	13327	Centering spacer	2
H	17930	M10-1.5x60 bolt	2
I	18628	M10, split lock washer.....	2
J	21779	Fitting elbow 1/4" MNPT-1/4" PTC.....	2
K	21851	Fitting elbow 1/4" MNPT-3/8" PTC.....	2



Missing or damaged parts? Call Air Lift customer service at (800) 248-0892 for a replacement part.

D. Installing the Air Suspension

NOTE

See "Important Safety Notices" on page 2.

CAUTION

RAISE THE REAR OF THE VEHICLE WITH A JACK AT THE APPROVED LIFTING POINTS AND USE SAFETY STANDS TO SUPPORT THE VEHICLE.

REMOVING THE STOCK SUSPENSION

1. Raise the vehicle and remove the wheel. Support the lower control arm with a safety stand (Figs. D.1 & D.2).



fig. D.1



fig. D.2

2. Remove the sway bar end link bolt (Figs. D.3 & D.4).



fig. D.3



fig. D.4

3. Remove the lower control arm outer pivot bolt (Figs. D.5 & D.6).



fig. D.5



fig. D.6

4. Loosen the lower control arm inner pivot bolt, but do not remove (Fig. D.7).



fig. D.7

5. Lower the jack under the control arm to release the coil spring. Remove the coil spring from the vehicle. (Figs. D.8 & D.9).



fig. D.8



fig. D.9

6. Raise the control arm and reinstall the lower control arm outer pivot and sway bar end link bolts (Fig. D.10). Do not torque at this time.



fig. D.10

7. Remove the lower shock mount bolt (Figs. D.11 & D.12).



fig. D.11



fig. D.12

8. Remove the upper shock mount bolts (Fig. D.13). Remove the shock from the vehicle (Fig. D.14).



fig. D.13



fig. D.14

INSTALLING THE AIR SUSPENSION

1. Remove the upper mount/jounce bumper from the stock rear shock (Fig. D.15). Separate the jounce bumper from the upper mount (Fig. D.16).



fig. D.15



fig. D.16

2. Install the stock upper shock mount on the Air Lift Performance rear shock. Torque the pin mount nut to 30Nm (22 lb.-ft.) (Figs. D.17 & D.18).



fig. D.17



fig. D.18

3. Insert the rear shock upper mount into the chassis and install the bolts. Torque the bolts to 40Nm (30 lb.-ft.). Install the lower mount and bolt. Torque the lower mount bolt to 78Nm (58 lb.-ft.) (Figs. D.19 & D.20).



fig. D.19



fig. D.20

4. Install the fitting (J or K) into the rear air spring. Tighten the fitting to 1 3/4 turns beyond hand tight. Use two bolts (F) to attach the lower bracket (D) to the air spring. Torque the bolts to 28Nm (20 lb.-ft.) (Figs. D.21 & D.22).

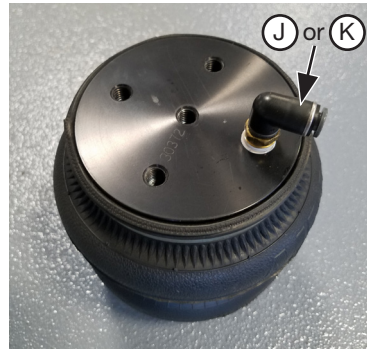


fig. D.21

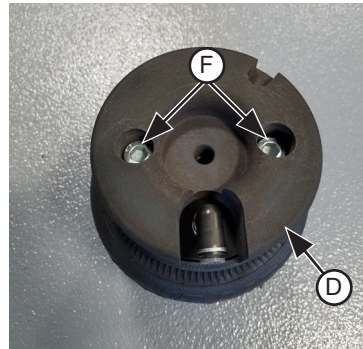


fig. D.22

5. Before installing the air spring, route the air line through the lower control arm. Insert the air line into the fitting before installing the air spring. Install the air spring into the lower control arm with the fitting facing inboard of the control arm. Align the notch in the lower bracket with the hole in the control arm (Figs. D.23 & D.24).



fig. D.23



fig. D.24

6. Install centering spacer (G) with M10 bolt (H) and split lock washer (I) through the bottom of the lower control arm. Torque the bolt to 40Nm (30 lb.-ft.) (Figs. D.25 & D.26).



fig. D.25



fig. D.26

ROUTING THE AIR LINES

1. Fully compress the suspension using a jack. With the suspension compressed, review the best routing for the air line that is clear of all suspension components and axle.
2. Routing should also allow for the suspension to extend without kinking or pulling the line tight or rubbing on other components. Following the brake line routing is often a good place to start. Check clearances to all other components.



WARNING

AFTER INSTALLATION, ENSURE ALL ORIGINAL EQUIPMENT VEHICLE SAFETY FEATURES ARE PROPERLY CALIBRATED BY A QUALIFIED TECHNICIAN. CHANGING VEHICLE HEIGHT MAY AFFECT FUNCTIONING OF SAFETY SENSORS AND CAMERAS.

E. Before Operating

Read the User Guide that came with this kit to set up the suspension.

Torque Specifications		
Location	Nm	Lb.-ft.
Upper shock pin mount nut	30	22
Lower bracket to air spring bolts	28	20
Lower shock mount bolt	78	58
Upper shock mount bolts	40	30
Sway bar end link bolt	40	30
Lower control arm inner pivot bolt	93	63
Lower control arm outer pivot bolt	69	51
Upper control arm inner pivot bolt	80	59
Upper control arm outer pivot bolt	76	56
Centering spacer bolt	40	30
Lugnuts	108	80
Fitting elbow PTC	1 3/4 turns beyond hand tight	

Table 1

Suggested Driving Air Pressure	Maximum Air Pressure
35-45 PSI (2.4-3.1BAR)	125 PSI (8.6BAR)
<p>FAILURE TO MAINTAIN ADEQUATE MINIMUM PRESSURE (OR PRESSURE PROPORTIONAL TO LOAD) MAY RESULT IN EXCESSIVE BOTTOMING OUT AND WILL VOID THE WARRANTY.</p>	

Table 2

CHECK FOR BINDING

1. Inflate and deflate the system (do not exceed 125 PSI [8.6BAR]) to check for clearance or binding issues. With the air springs deflated, check clearances on everything so as not to pinch brake lines, vent tubes, etc. Clear lines if necessary.
2. Inflate the air springs to 75-90 PSI (5.2-6.2BAR) and check all connections for leaks.

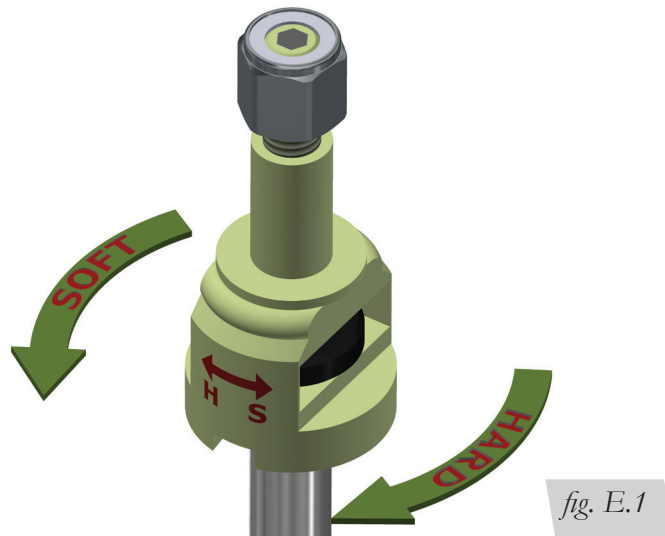
INSTALLATION CHECKLIST

- Clearance** — Inflate the air springs to 75-90 PSI (5.2-6.2BAR) and make sure there is at least 1/2" (13mm) clearance from anything that might rub against the air spring. This should be checked with the air spring fully inflated and fully deflated.
- Leak** — Inflate the air springs to 75-90 PSI (5.2-6.2BAR) and check all connections for leaks. All leaks must be eliminated before the vehicle is road tested.
- Heat** — Be sure there is sufficient clearance from heat sources, at least 6" (152mm) from air springs and air lines. If a heat shield was included in the kit, install it. If there is no heat shield, but one is required, call Air Lift customer service at **(800) 248-0892**.
- Fastener** — Recheck all bolts for proper torque.
- Road** — Inflate the springs to recommended driving pressures (Table 2). Drive the vehicle 10 miles (16km) and recheck for clearance, loose fasteners and air leaks.
- Operating instructions** — If professionally installed, the installer should review the operating instructions with the owner. Be sure to provide the owner with all paperwork that came with the kit.

DAMPING ADJUSTMENT

1. The dampers in this kit have 30 settings, or "clicks," of adjustable compression and rebound damping characteristics. Damping is changed through the damper rod using the supplied adjuster (Fig. E.1) or a 3mm hex key (not included).
2. Turn the adjuster clockwise (H) and the damping settings are hardened, reducing oscillations and body motion. Turn the adjuster counterclockwise (S) and the damping is softened.
3. Each damper in this kit is preset to "-16 clicks." This means that the damper is adjusted 16 clicks away from full stiff, which starts at 0. Counting up from full stiff is the preferred method of keeping track of, or setting, damping. This setting was developed on a 10th Gen Honda Accord.

For more information, refer to the User Guide.



Notes

Limited Warranty and Return Policy

Air Lift Company provides a 1-year limited warranty to the original purchaser of Air Lift Performance damper kits from the date of original purchase, that the products will be free from defects in workmanship and materials when used on vehicles as specified by Air Lift Company and under normal operating conditions, subject to the requirements and exclusions set forth in the full Limited Warranty and Return Policy that is available online at www.airliftperformance.com/warranty.

For additional warranty information contact Air Lift Company customer service.

Need Help?

The Air Lift Company customer service department is open from 8 a.m. to 8 p.m. ET Monday through Friday. Call (800) 248-0892 or (517) 322-2144 for calls from outside the U.S. and Canada.



CONNECT BY SEARCHING FOR **AIR LIFT PERFORMANCE** #LIFEONAIR



Thank you for purchasing Air Lift Performance products!



Air Lift Performance • 2727 Snow Road • Lansing, MI 48917 or P.O. Box 80167 • Lansing, MI 48908-0167
Toll Free (800) 248-0892 • Local (517) 322-2144 • Fax (517) 322-0240 • www.airliftperformance.com

Printed in the USA
JJC-0119

California: ⚠️WARNING: Cancer and Reproductive Harm - www.P65Warnings.ca.gov