

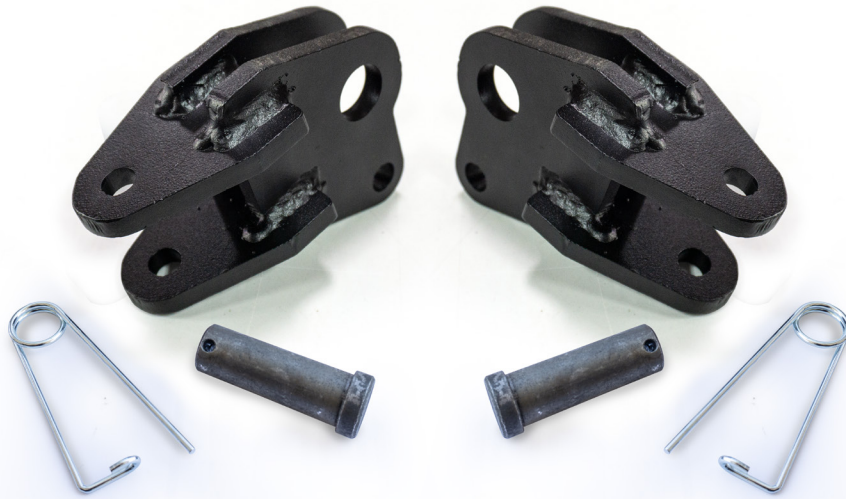


**JL JK** TOW ADAPTORS  
FOR ROADMASTER  
TOW BARS

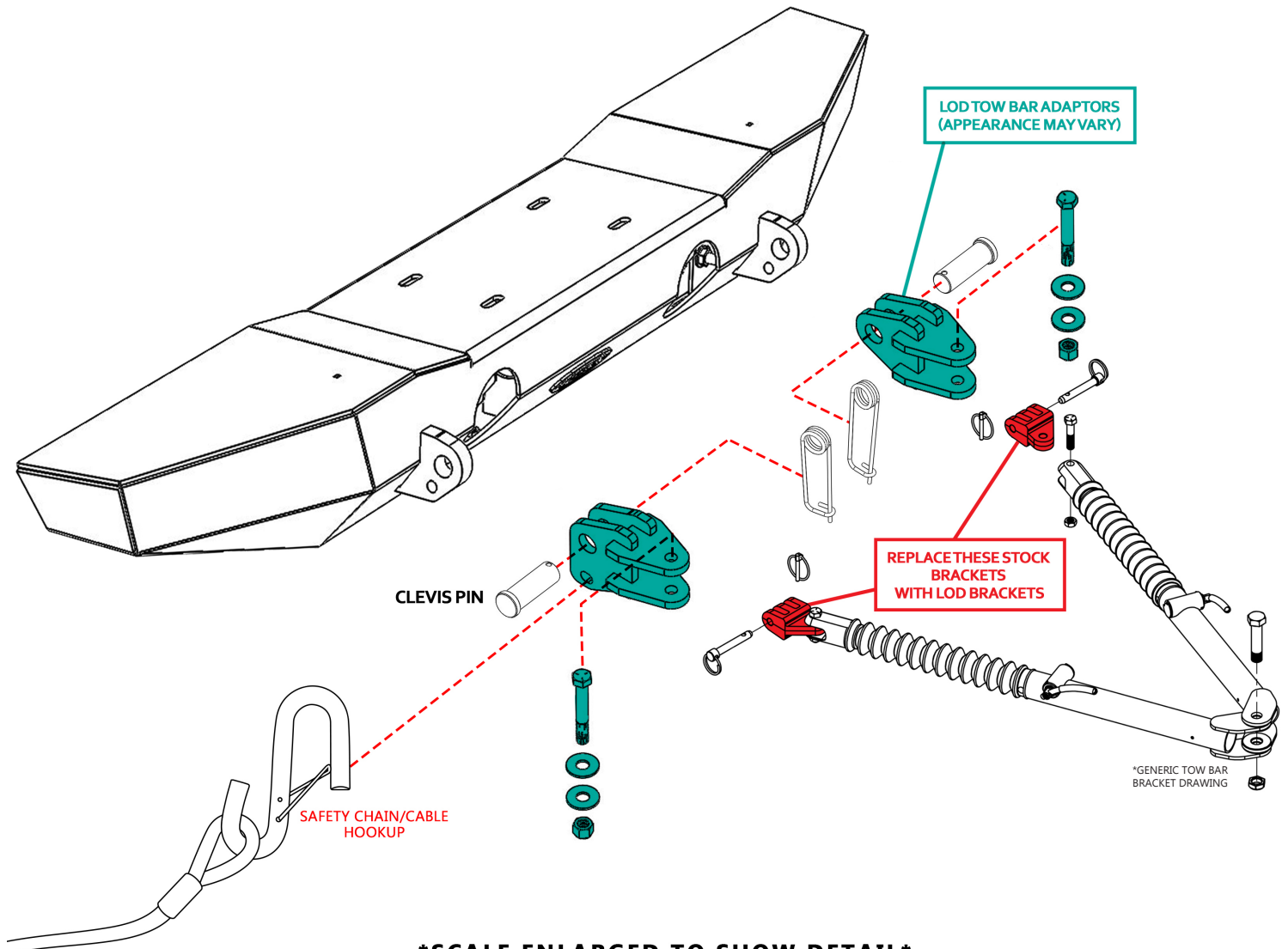
**\*PLEASE READ THROUGH THE  
INSTRUCTIONS BEFORE BEGINNING  
ANY PART OF THE INSTALLATION  
PROCESS\***

**WEB FILE:**

<http://lodoffroad.com/assets/pdfs/JTK0730.pdf>



### TOW BAR ADAPTER FOR ROADMASTER TOW BAR

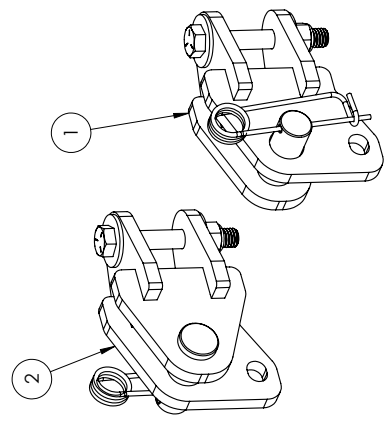
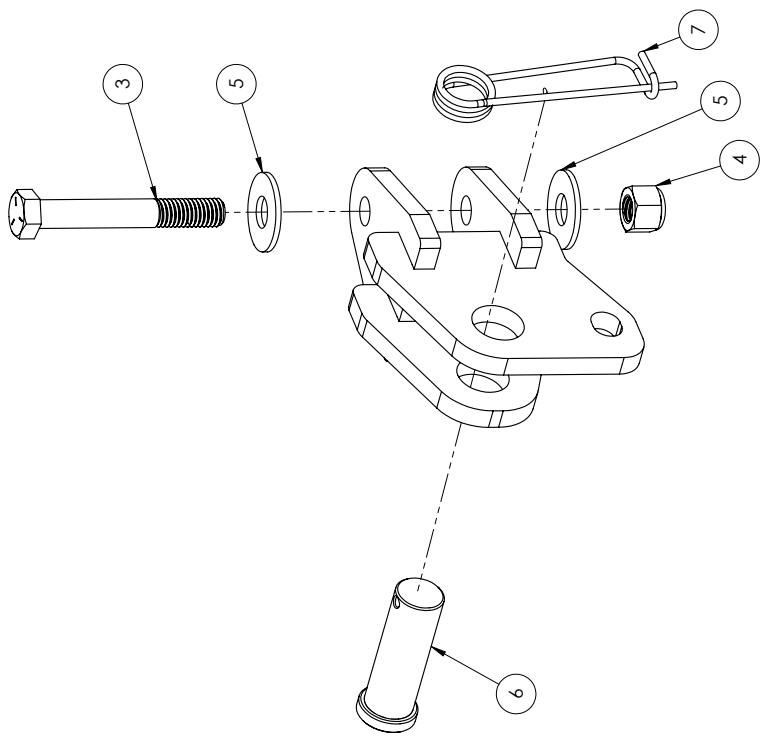


**\*SCALE ENLARGED TO SHOW DETAIL\***

ITEM NO.	PART NUMBER	DESCRIPTION	QTY.
1	4JTB0730-1	ROADMASTER PASS SIDE ADAPTER WELDMENT	1
2	4JTB0730-2	ROADMASTER DRIVER SIDE ADAPTER WELDMENT	1

**HARDWARE KIT**

ITEM NO.	PART NUMBER	DESCRIPTION	QTY.
3	HB501356ZPGR5	HEX BOLT 1/2-13 X 3.50 HEX BOLT ZINC PLATE GR5	2
4	LHN5013ZPGR5	NYLOK LOCKING HEX NUT 1/2-13 ZINC PLATE GR5	2
5	FW5022ZP	FLAT WASHER Ø1/2" X 1.375" ZINC PLATE	4
6	CP1000	CLEVIS PIN, Ø7/8" X 2 1/2" LG	2
7	CP1002	SAFETY COTTER PIN, Ø.120 X 4.375" LG X 13/16" W, ZINC PLATE	2



UNLESS OTHERWISE SPECIFIED:		NAME	DATE
DIMENSIONS ARE IN INCHES	DRAWN	MCH	5/21/2020
ANGULAR DIMENSIONS ARE IN DEGREES	CHECKED		
TWO PLACE DECIMAL ±0.015	ENG APPR.		
THREE PLACE DECIMAL ±0.005	MFG APPR.		
<b>PROPRIETARY AND CONFIDENTIAL</b> THE INFORMATION CONTAINED IN THIS DRAWING IS THE SOLE PROPERTY OF LOD LLC. ANY REPRODUCTION OR TRANSMISSION OF THIS DRAWING WITHOUT THE WRITTEN PERMISSION OF LOD LLC IS PROHIBITED.		<b>LOD LLC.</b> DESCRIPTION: <b>TOW BAR ADAPTER FOR ROADMASTER TOW BAR</b> DWG. NO. <b>JTB0730</b> SCALE: 1:4 SHEET SIZE: B	
MATERIAL: N/A FINISH: BLACK POWDER COAT		REV <b>C</b> SHEET 1 OF 1	



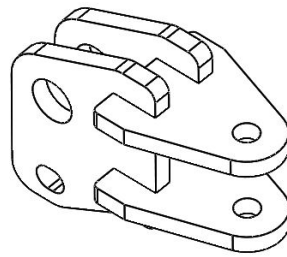
**JL + JK Jeep**  
**Tow Bar Adaptors for**  
**Roadmaster Tow Bar**  
**SHIPPING SHEET**

Packaged by:

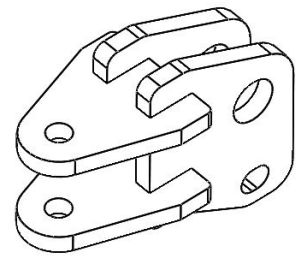
\_\_\_\_\_

On:

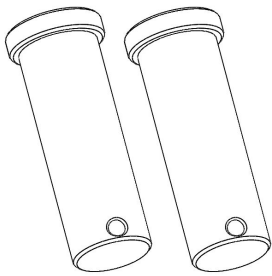
\_\_\_\_\_



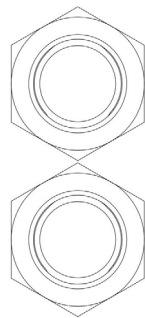
Tow Adaptor  
 Passenger **(1)**



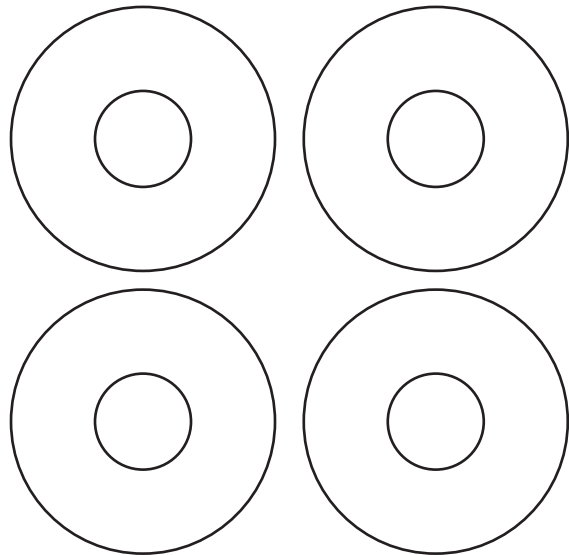
Tow Adaptor  
 Driver **(1)**



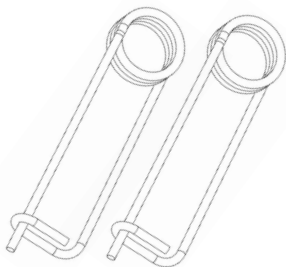
Clevis Pins **(2)**



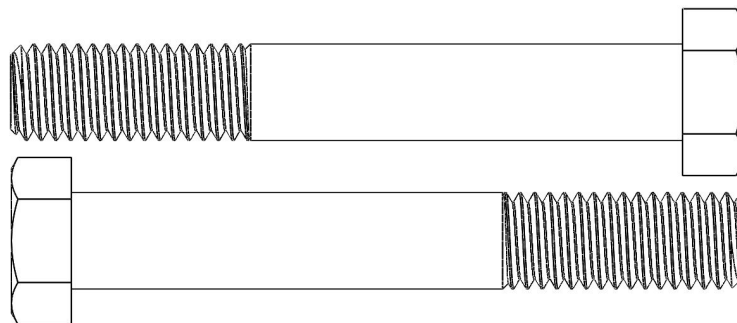
1/2-13 Nylon  
 Lock Nut  
**(2)**



1/2 x 1.375"  
 Washer  
**(4)**



Safety Pins **(2)**



1/2-13 x 3.5"  
 Hex Bolt  
**(2)**

