

INSTALL INSTRUCTIONS

The install of these cable savers are straightforward and can be installed in several different orientations.

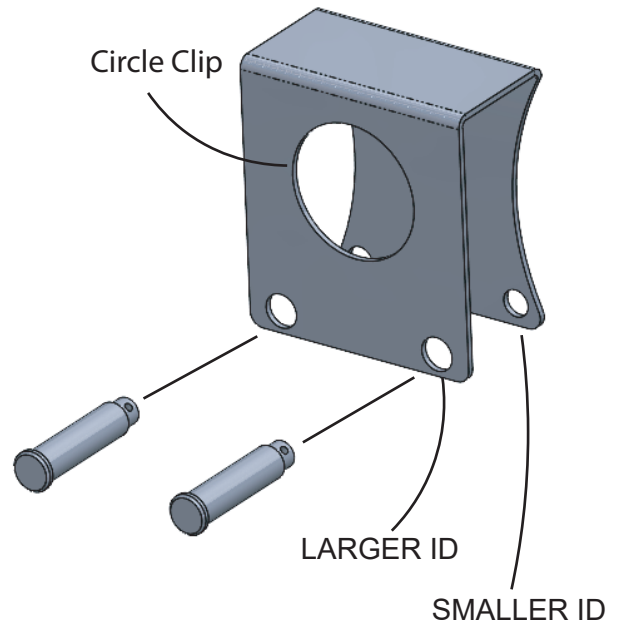
With the pins removed, the retainer can slide over the OEM cable ends like shown below. Depending on the orientation of the cable and your level of accessibility, the clip can be installed in either direction as long as the circle clip lines up.

The pins can be placed through the retainer in only one orientation, the larger hole first followed by the smaller hole.

When the pin installed, the retaining cotter pins can be installed to lock the cables in place.

On the passenger side the retainer should be installed from the back first so access will be easier.

Additional cotter pins can be purchased off the shelf from McMaster Carr with Part number 98335A031.



Passenger Side



Drivers Side

