

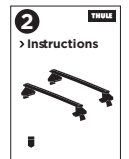
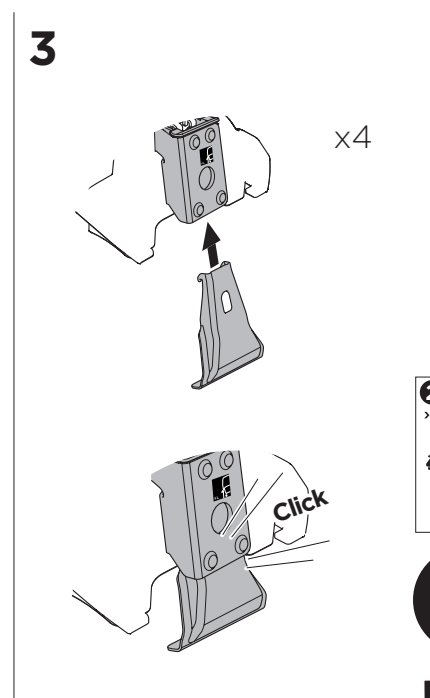
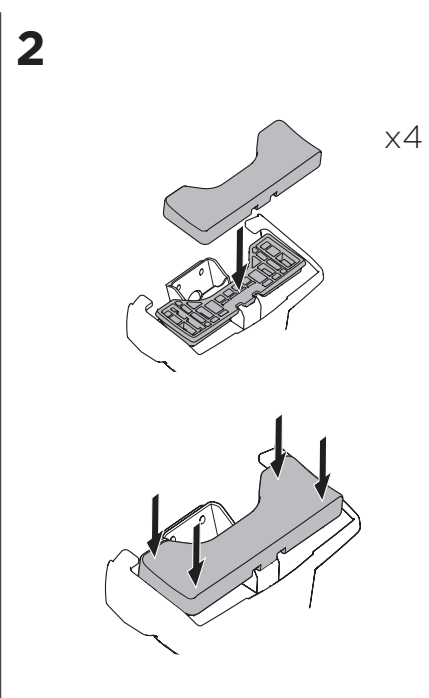
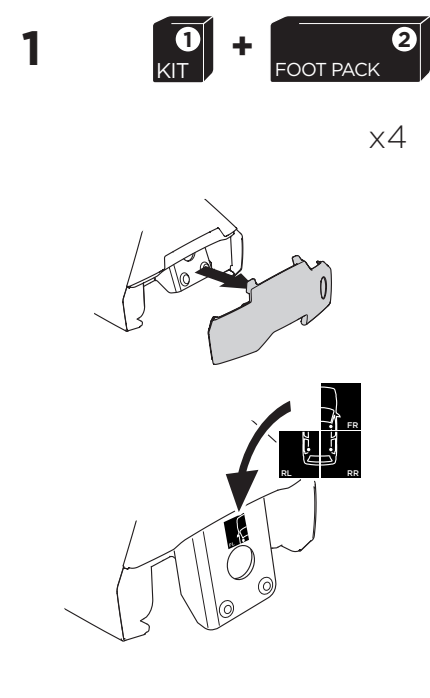
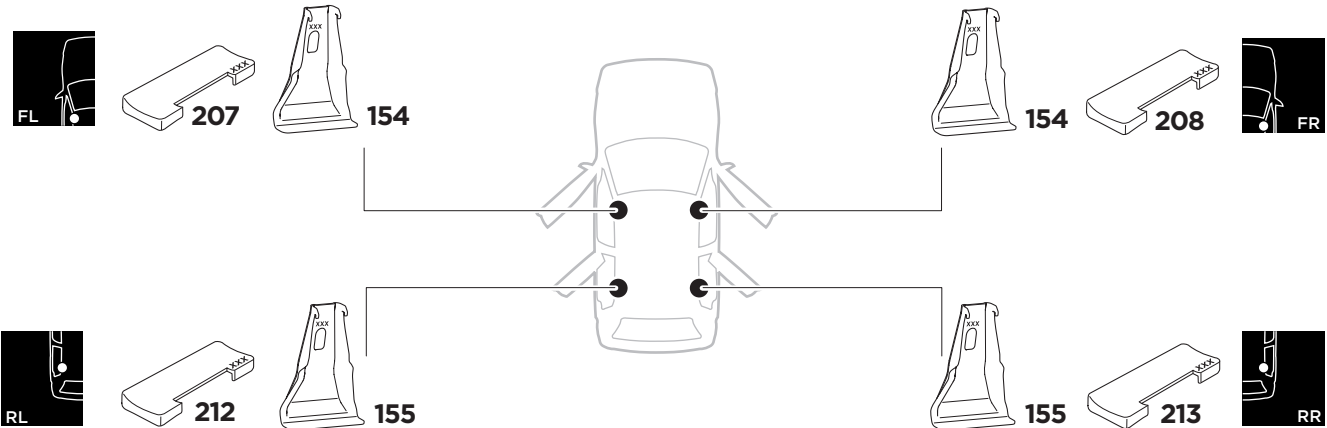
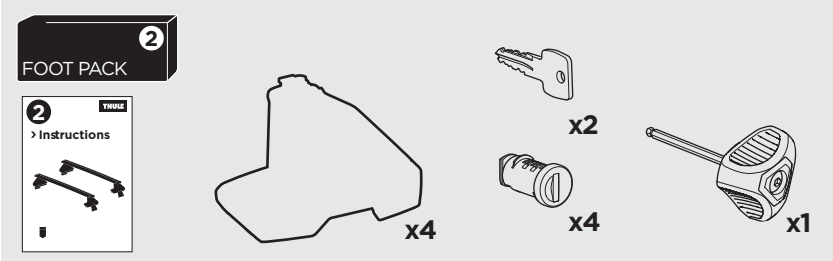
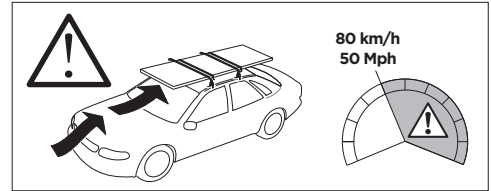
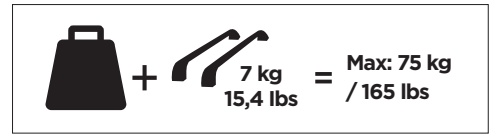
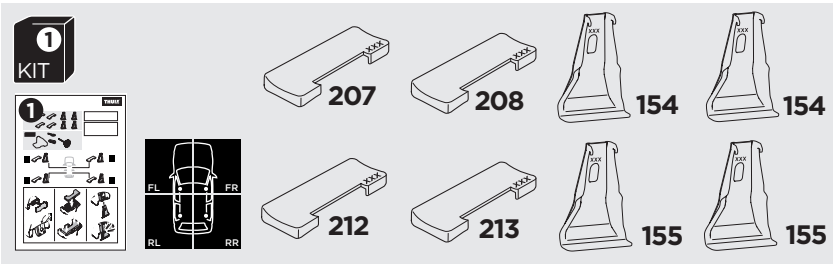
# 1

## Kit 5046

HONDA CR-V, 5-dr SUV, \*17- / 19-

\*North America

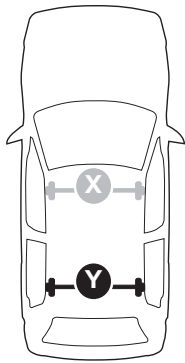
ISO 11154-E





THULE WingBar Evo	THULE WingBar Edge	THULE WingBar	THULE SquareBar	<b>Evo X (scale)</b>	<b>Edge X (scale)</b>
<b>HONDA CR-V, 5-dr SUV, *17- / 19-</b>				<b>47,5</b>	<b>B</b>

THULE ProBar	THULE SlideBar	<b>X (mm/inch)</b>		
<b>HONDA CR-V, 5-dr SUV, *17- / 19-</b>		<b>1126 mm / 44 3/8"</b>		



THULE WingBar Evo	THULE WingBar Edge	THULE WingBar	THULE SquareBar	<b>Evo Y (scale)</b>	<b>Edge Y (scale)</b>
<b>HONDA CR-V, 5-dr SUV, *17- / 19-</b>				<b>40,5</b>	<b>P</b>

THULE ProBar	THULE SlideBar	<b>Y (mm/inch)</b>		
<b>HONDA CR-V, 5-dr SUV, *17- / 19-</b>		<b>1056 mm / 41 5/8"</b>		

	<b>W (mm/inch)</b>	<b>Z (mm/inch)</b>
<b>HONDA CR-V, 5-dr SUV, *17- / 19-</b>	<b>700 mm / 27 1/2"</b>	<b>290 mm / 11 3/8"</b>

