

INSTALLATION GUIDE

ACCUAIR
SUSPENSION



AA-4409

2018-PRESENT

JEEP WRANGLER (JL)

ONBOARD AIR SYSTEM



CONGRATULATIONS!

Your AccuAir® Jeep JL Onboard Air System gives you access to on demand air any time, any place. Enjoy your AccuAir® JL system by Treading Lightly® and following all instructions and product safety messaging below. If you have further questions contact us at: sales@AccuAir.com. Our team is here to help.

A FEW WORDS ABOUT PRODUCT SAFETY

Before installation, please take a moment to review the following safety information and installation instructions. Important safety information is generally preceded by one of three signal words indicating the relative risk of injury.

The signal words mean:



WARNING:

A hazardous situation which, if not avoided, could result in death or serious injury. You **CAN** be **killed** or **seriously hurt** if you don't follow instructions.



CAUTION:

A hazardous situation which, if not avoided, could result in minor or moderate injury. You **CAN** be moderately **hurt** and may also suffer property damage if you do not follow instructions.



NOTICE:

Careful attention is required to this instruction or operation but does generally not relate to personal injury. Damage to your AccuAir® product or other property may result if you don't follow instructions.



CAUTION:

Risk of Eye Injury. Safety glasses, gloves & other personnel protection should be worn when working with this product.

If you have any questions or reservations about installing this product, contact AccuAir Customer Service.

WHAT IS COVERED?:

Subject to the terms, exclusions and limitations herein, Arnott, LLC. (“Warrantor” or “AccuAir”) exclusively warrants to the initial retail purchaser of a AccuAir Jeep JL onboard air system that AccuAir will according to terms herein, repair defects in or replace AccuAir supplied components which, upon AccuAir inspection are determined to have defects in materials or workmanship existing as of the date of sale to the initial retail customer (hereafter “Customer”). This Limited Warranty is the sole and exclusive warranty made or authorized by Warrantor. This Limited Warranty is not a warranty or promise of any particular future performance.

The term of this Limited Warranty shall be three years as measured from the date of sale to initial Customer (the warranty “TERM”). Any claim under this limited warranty must be made within six months of the last day of the warranty TERM or will be forever waived. The duration of any implied warranty shall be limited to the three year term of express limited warranty above.

WHAT IS NOT COVERED?:

Your AccuAir **Limited Warranty does not cover:** (1) defect in a AccuAir onboard air system or component causing or contributing to damage or defect, of any type whatsoever, to the vehicle it is installed upon or any electrical system or other vehicle system or component separately warranted or supplied by a manufacturer other than AccuAir, (2) damage to AccuAir components or your vehicle from altering or disabling any component of your vehicle or AccuAir product; additions, alterations, or other products or components not supplied by AccuAir, (3) installation or use contrary to professional installation recommendations, or other installation/use contrary to instructions and safety messaging included within your AccuAir product, (4) expected wear and tear on airbags and other components considering vehicle use, damage related to failure to adequately, install, inspect, maintain, adjust or service as recommended or required, damage resulting from improper suspension set-up, loading, accident, collision, vandalism, abuse, misuse, neglect, fire, flood, normal wear, defects in or degradation of finishes, reflecting corrosion, UV or other environmental influences (5), AccuAir, components used in competition, other off road use or events which may involve unforeseen vehicle components, suspension set ups, contact between vehicles, rocks or obstacles, other components of your vehicle and your AccuAir components, damage or degradation of performance, (6) *labor, lost time, lost use or opportunities, reasonable delays in remedies hereunder, other consequential, incidental, punitive or other damages or costs, including those incurred in removing, reinstalling or delivering your AccuAir component to AccuAir for inspection, repair or replacement.*

OBTAINING WARRANTY & CUSTOMER SERVICE:

Register your AccuAir Purchase. For questions or claims contact AccuAir Customer Service: **100 Sea Ray Drive, Merritt Island, FL 32953.** You will be asked to advise AccuAir in writing of your understanding of all defects and provide AccuAir an opportunity to repair or replace the affected component(s) subject to the terms of this Limited Warranty. Please have proof of purchase available.

REMEDY LIMITED TO REPAIR/REPLACEMENT BY ACCUAIR. BINDING, SINGLE CLAIM ARBITRATION-VENUE:

Upon Customer’s removal and delivery to AccuAir for inspection and AccuAir determination of a covered defect, *the exclusive remedy provided hereunder shall at AccuAir’s option be repair or replacement of the defective AccuAir component(s). Your sole and exclusive remedy for breach of this Limited Warranty or any implied warranty imposed by law, is the reasonable costs for replacement parts necessary to correct the defect(s) upon which the finding of breach is based. For separate, valuable consideration received; all claims arising from or related to purchase or use of AccuAir components shall exclusively be maintained as a separate action by each Customer applying Florida state law*

(without reference to treaties or conflict of law provisions) through binding arbitration before a neutral selected by Customer from the JAMS® panel closest to Merritt Island, Florida. To the extent permitted by law, each party shall bear its own costs and fees. Any claim to enforce an arbitration award or for other breach or damages under this Limited Warranty can only be brought in a court of competent jurisdiction closest to Brevard County, Florida.

OTHER EXCLUSIONS –LIMITATION OF DAMAGES - YOUR RIGHTS UNDER STATE LAW.

No employee, other agent of AccuAir or authorized reseller may, amend or waive this written Limited Warranty or make additional representations or warranties regarding any AccuAir features, performance, workmanship or materials. AccuAir reserves the right to make changes in design and changes or improvements upon its products without imposing any obligation on itself to install or upgrade the same upon products previously manufactured.

By installation and use of your AccuAir product, and/or submitting a claim under this **Limited Warranty**, you acknowledge that you have received and understand all product instructions, warnings and this **Limited Warranty** and agree to be bound by all terms therein, reflecting the exclusive terms and remedies of the parties bargain.

This Limited Warranty gives you specific rights. You may also have other rights that vary from state to state. For example, some states do not allow limitations of how long an implied warranty lasts and/or do not allow the exclusion or limitation of incidental or consequential damages, so the limitations and exclusions herein may not apply to you. All other warranties are hereby disclaimed, except to the extent prohibited by applicable law.



INCLUDED PARTS

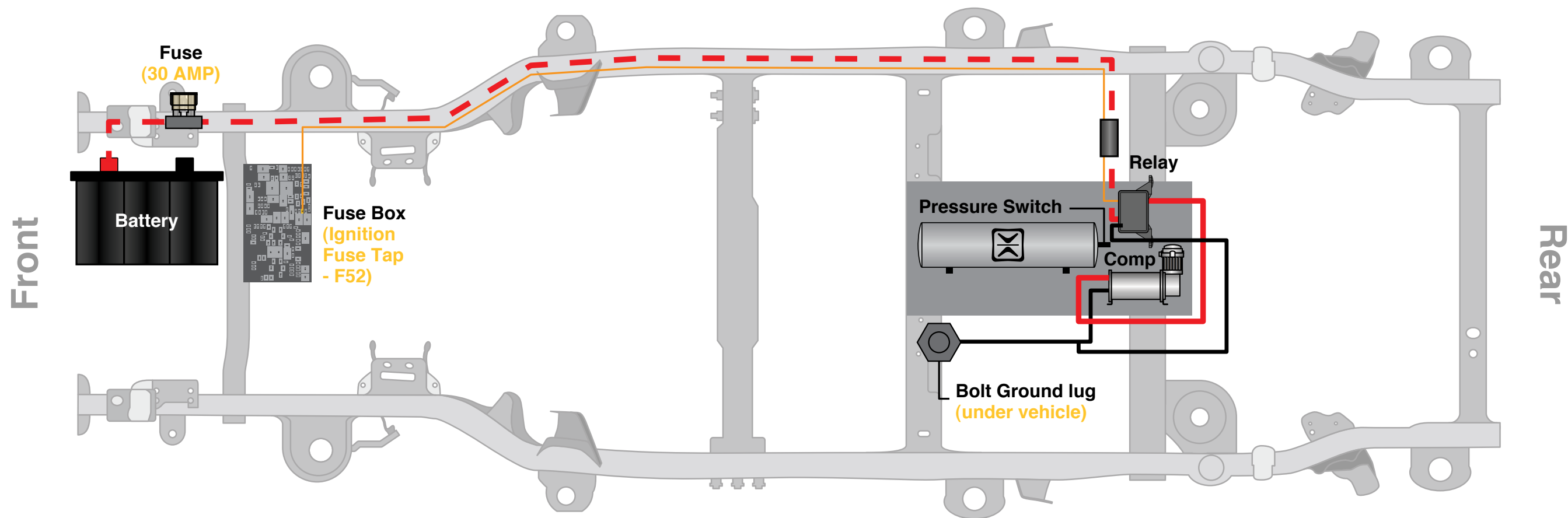
| | |
|------------------------|--------------------------------------|
| 3 Gallon Seamless Tank | Install Kit for Air Tank, Compressor |
| VIAIR 485C Compressor | Air Compressor Bracket |
| VIAIR Inflation System | Regulator |

REQUIRED TOOLS

| | | | |
|--|--------------------|---|----------------------|
| SAE & SAE Hex Key Sockets/Wrenches (5/32", 7/32" & 5/16" Hex Key Sockets, 7/16", 1/2", 9/16", 3/4", 13/16", 7/8" & 1-1/8") | | Metric & Metric Hex Key Sockets/Wrenches (6mm Hex Key Socket, 8mm, 10mm, 13mm, 15mm, 18mm, 19mm, 21mm, 22mm & 24mm) | |
| Measuring Tape | Jack Stands | Ball Peen Hammer | Floor Jack |
| Safety Glasses | Pliers | Wheel Chock | Torque Wrench |
| Blue Loctite | Crimper | | |

INDEX

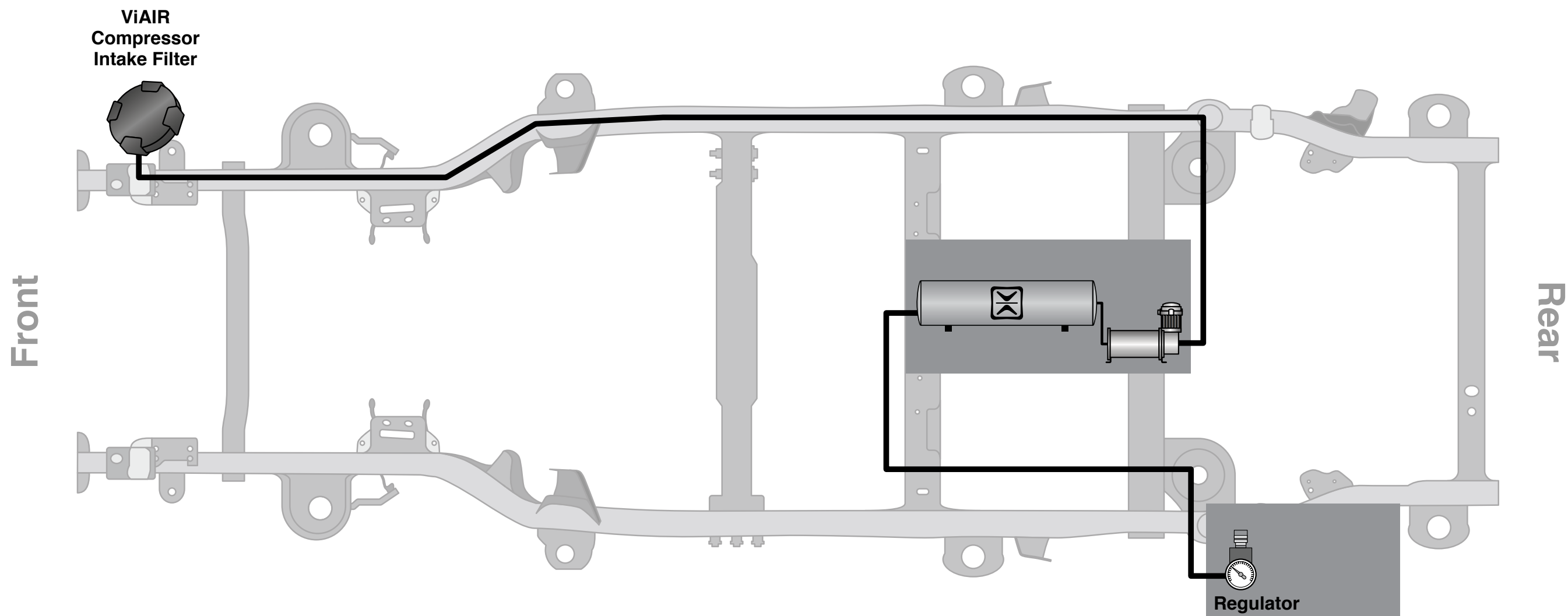
| | |
|--|----|
| Wire Routing, Fuse Box & Plumbing Routing Diagrams | 7 |
| Wiring | 13 |
| Plumbing & Routing | 22 |
| Final Clearance Check & Torque Steps | 26 |
| Troubleshooting & Technical Support | 26 |





TAP INTO F52





1. Remove the floor pan drain plug from underneath the center of the vehicle. (Figure 1)



FIGURE 1

2. Install the provided rubber grommet in the floor pan hole. (Figure 2)



FIGURE 2

3. Run an end of the 1/4" air line for the pressure regulator into the cab via the grommets floor pan hole. (Figure 3)



FIGURE 3

4. Install the large bracket holding the seamless tank and compressor to the frame underneath the vehicle using the provided mounting hardware. The tank will face forward toward the engine bay, while the compressor will face the rear of the vehicle. (Use Blue Loctite when installing the M8 fasteners to the factory cross member.) (Figure 4)

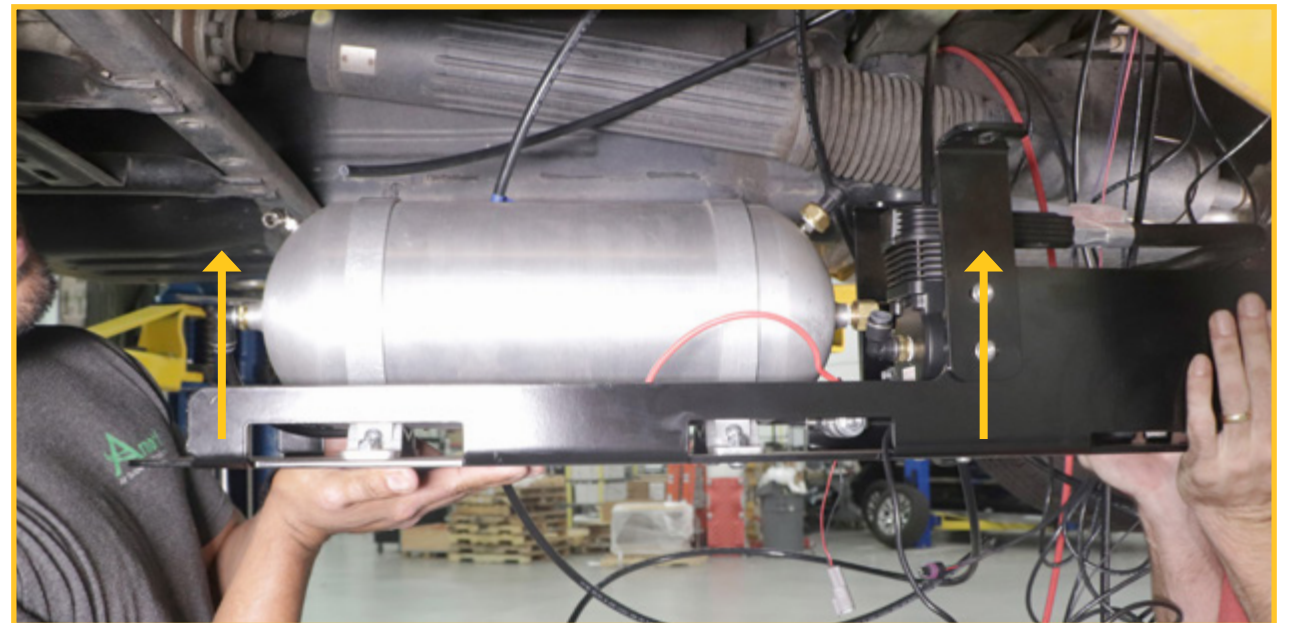


FIGURE 4

5. The wiring harness shown below is used to supply power and ignition to the large bracket. (Figure 5)



FIGURE 5

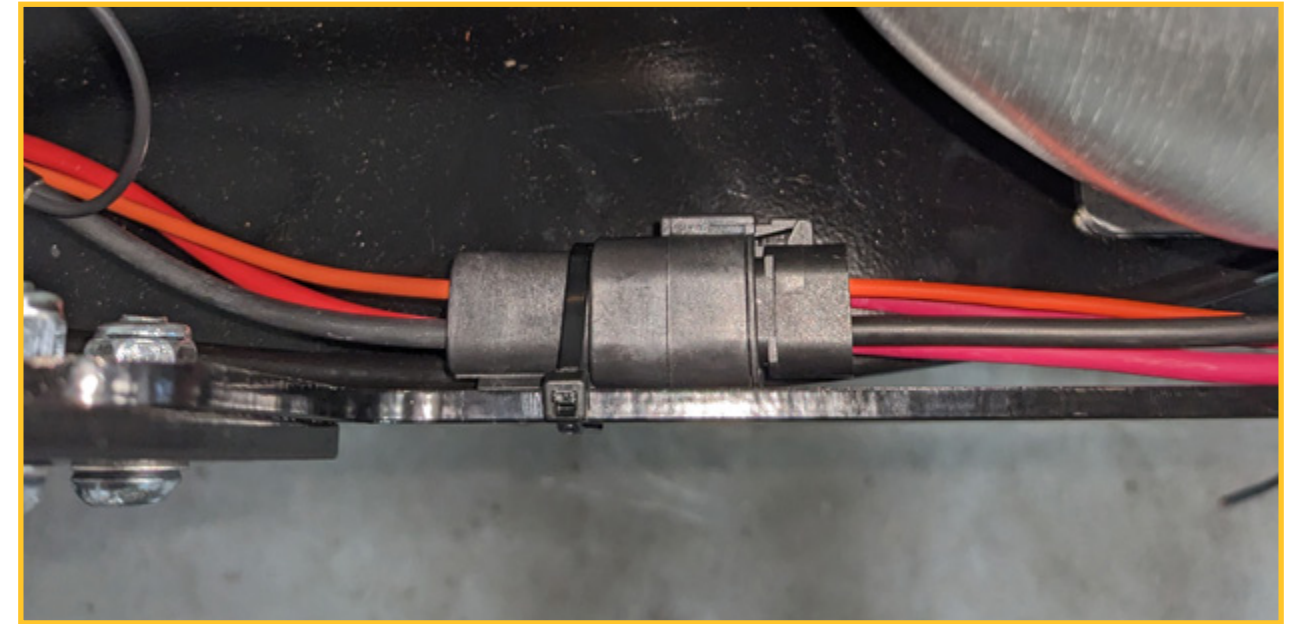


FIGURE 7

6. Connect the power harness to the open connector on the large bracket as shown. (Figures 6, 7)

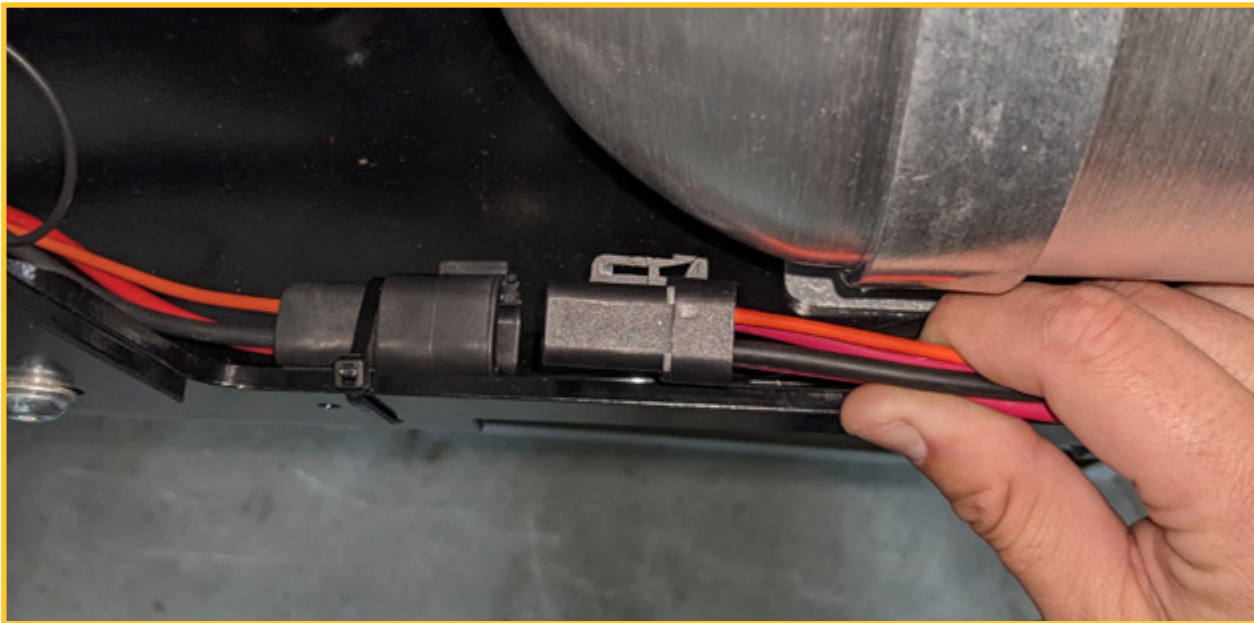


FIGURE 6

7. Route the Power and Ignition wires to the battery/fuse box. Cut excess wire length. (Figure 8)

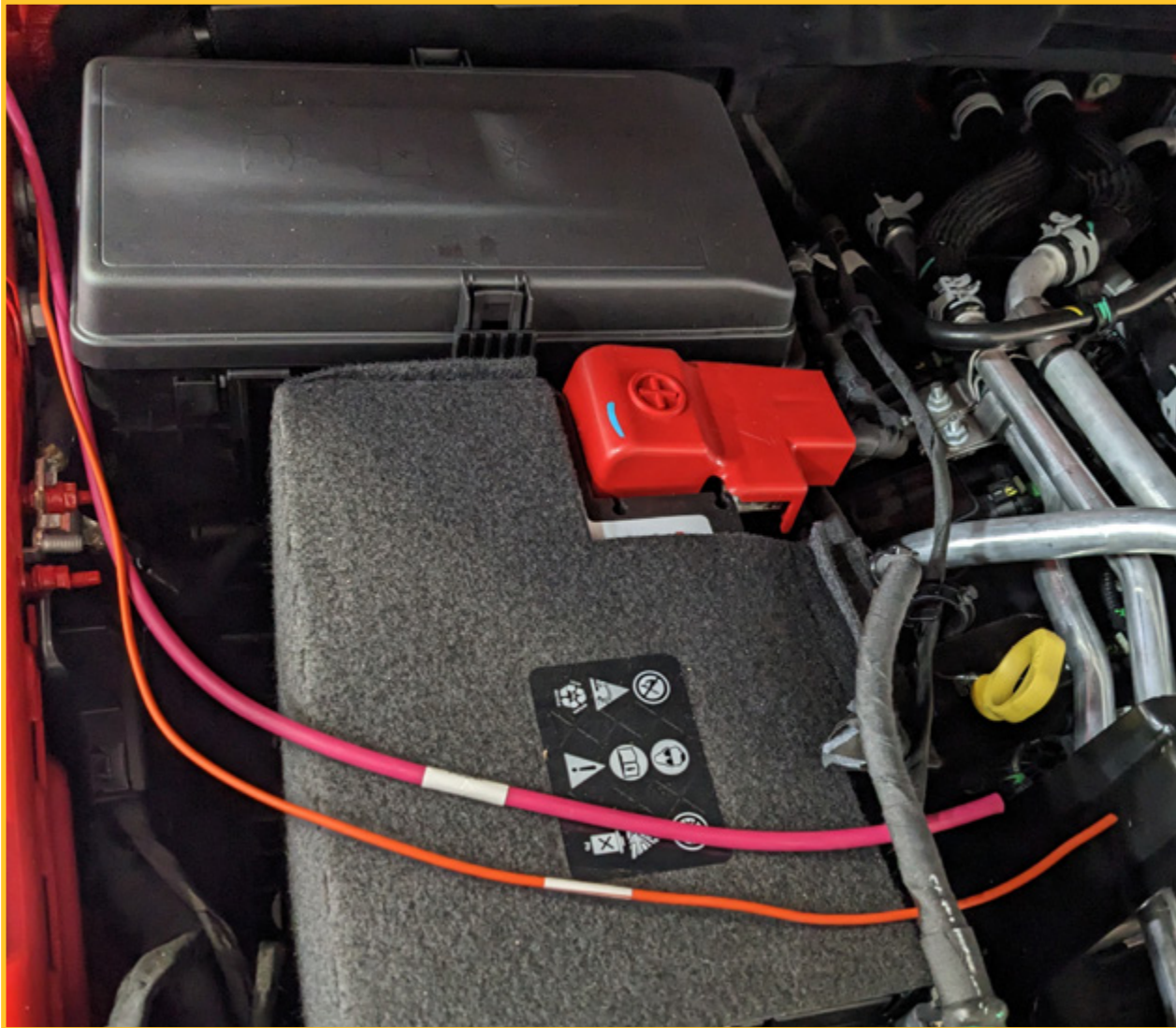


FIGURE 8

8. Crimp butt splice to connect battery power wire to 30A fuse holder. Install heat shrink over crimp. (Figure 9)

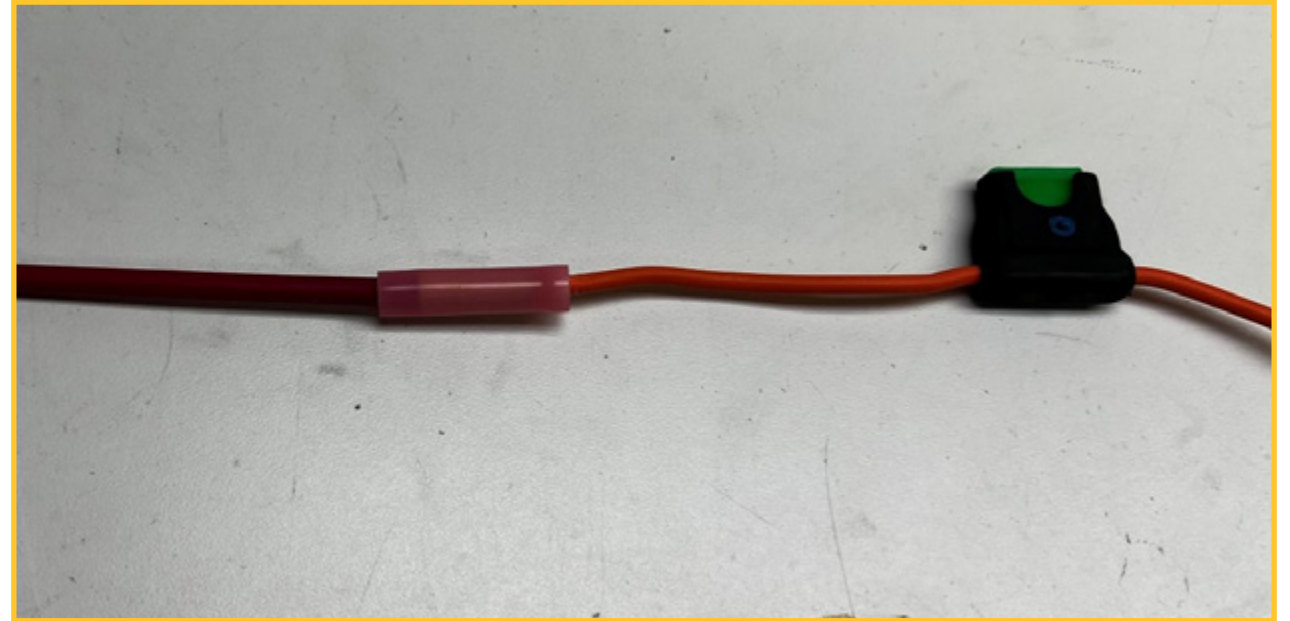


FIGURE 9

9. Crimp copper ring terminal to open fuse blade wire end and install heat shrink over crimp. (Figure 10)
Take the power wire with the 30 AMP fuse installed.
Lay the fuse on top of the battery and route remaining wire along the passenger side frame rail to the tank bracket. **Do not connect to battery at this time.**



FIGURE 10

10. Crimp copper ring terminal to ground wire end and install heat shrink over crimp. (Figure 11)



FIGURE 11

11. Route the orange ignition wire up to the fuse box under the hood on the passenger side. (Figure 12)



FIGURE 12

12. Crimp the orange ignition wire to the fuse tap. Extract 20 AMP fuse from **F52** and place on bottom position of the fuse tap. Pull the spare **5 (or 10) AMP** fuse and position in top slot of the fuse tap. (Figure 13)

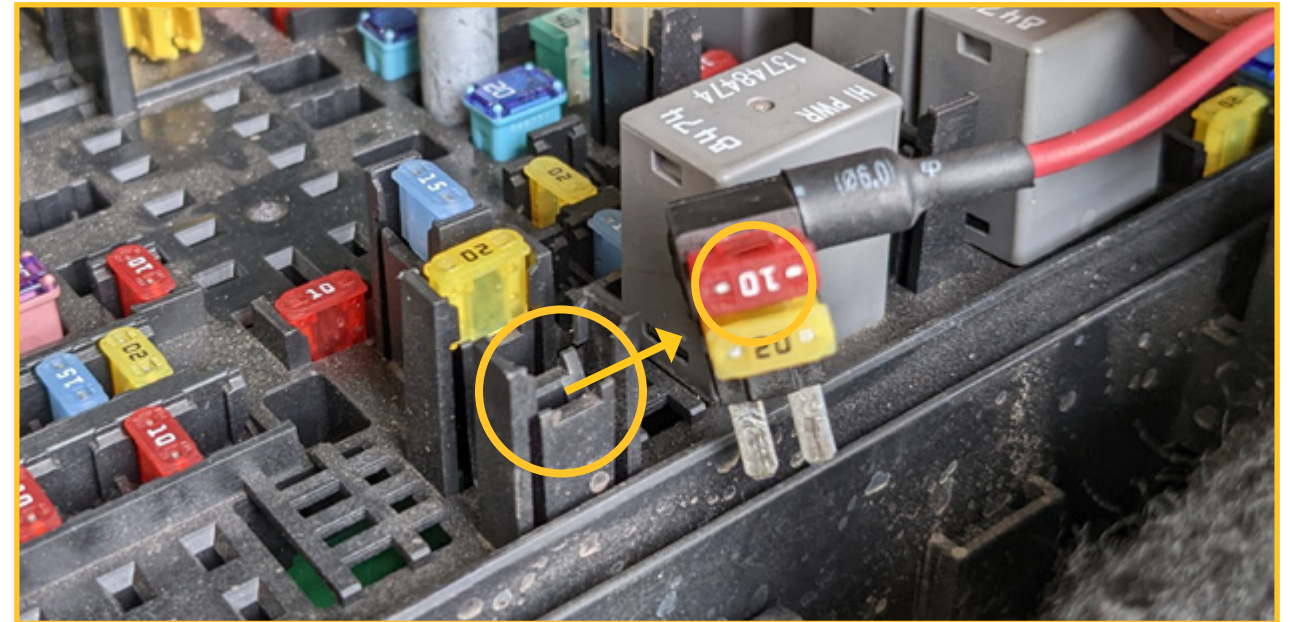


FIGURE 13

13. Remove the fuse in position (**F52**) and install the fuse tap. (Figure 14)

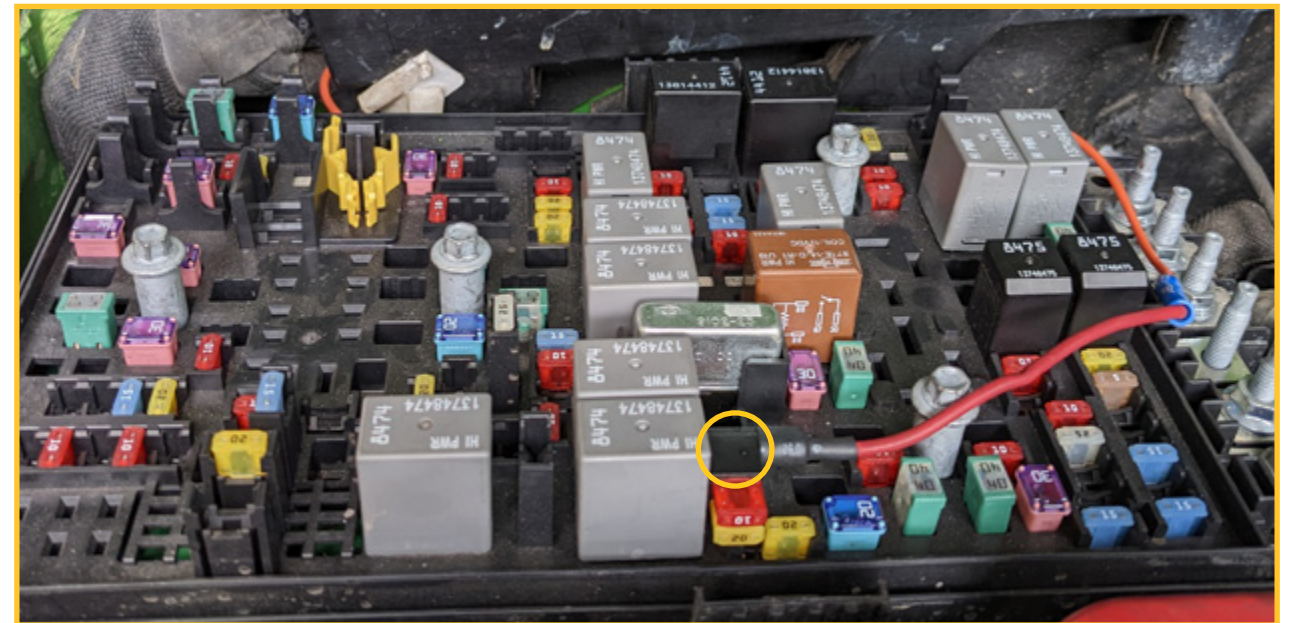


FIGURE 14

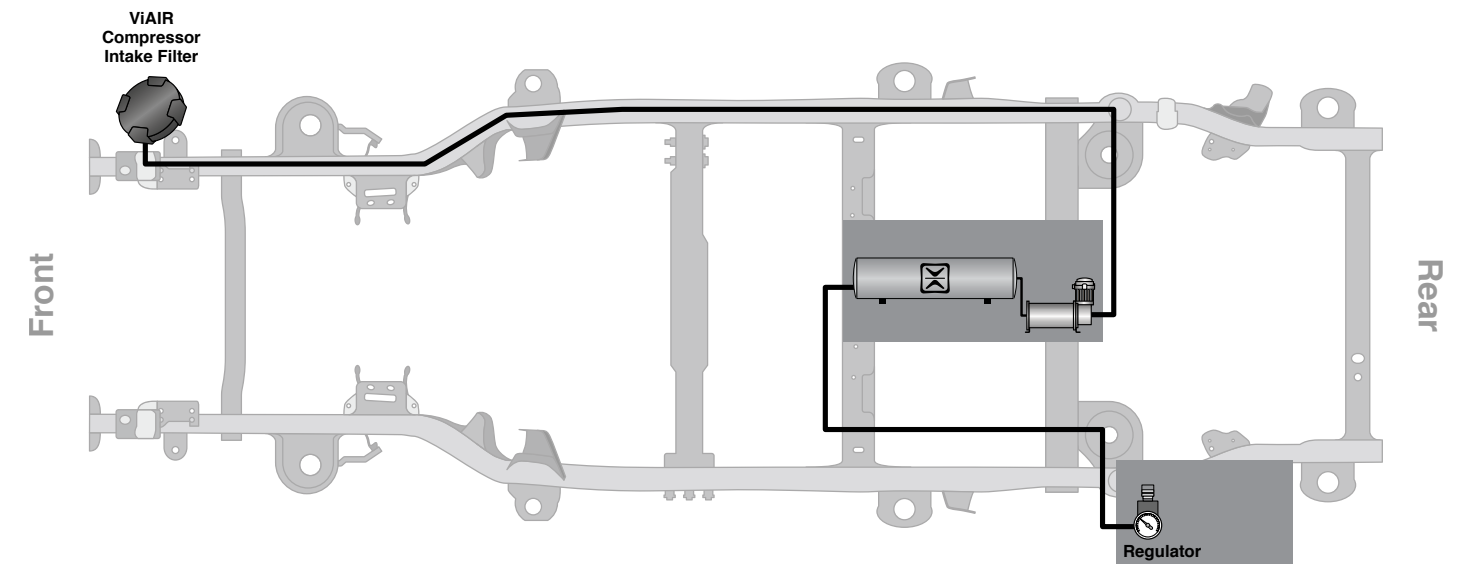


14. Connect ground ring terminals for power harness to the under-body ground lug. (Figure 15)



FIGURE 15

1. Plumb air lines according to the diagram below.





2. Attach pressure relief valve to exposed bulkhead on the large bracket (Figure 16)



FIGURE 16

3. Connect 1/4" regulator air line to elbow on the front of the tank. (Figure 17)



FIGURE 17

4. Mount regulator bracket to rear driver roll bar. Trim and attach 1/4" air line to regulator as shown. (Figure 18)



FIGURE 18



5. Install intake filter near engine intake in the front passenger side under the hood. (Figure 19)



FIGURE 19

6. Route the intake line back to the compressor. (Figure 20)

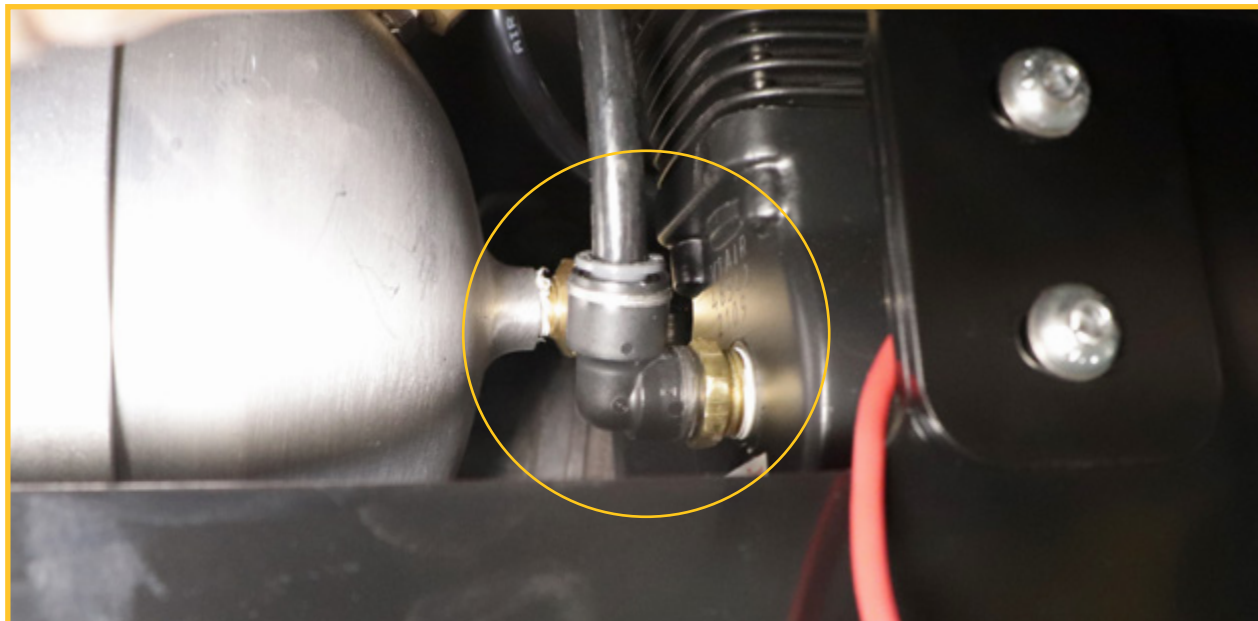


FIGURE 20

FINAL NOTES

After installation is complete, double check that all nuts & bolts are tight. Refer to the following chart for proper torque specifications.

NOTE: Do not re-tighten nuts & bolts where thread lock compound was used.

After first 100 miles, check all hardware for proper torque & periodically thereafter.

| TORQUE SPECIFICATIONS | | | | | |
|-----------------------|------------|------------|---------------|------------|------------|
| INCH SYSTEM | | | METRIC SYSTEM | | |
| Bolt Size | Grade 5 | Grade 8 | Bolt Size | Class 8.8 | Class 10.9 |
| 5/16 | 180 in-lbs | 240 in-lbs | 6MM | 60 in-lbs | 108 in-lbs |
| 3/8 | 30 ft-lbs | 35 ft-lbs | 8MM | 216 in-lbs | 23 ft-lbs |
| 7/16 | 45 ft-lbs | 60 ft-lbs | 10MM | 32 ft-lbs | 45 ft-lbs |
| 1/2 | 65 ft-lbs | 90 ft-lbs | 12MM | 55 ft-lbs | 75 ft-lbs |
| 9/16 | 95 ft-lbs | 130 ft-lbs | 14MM | 85 ft-lbs | 120 ft-lbs |
| 5/8 | 135 ft-lbs | 175 ft-lbs | 16MM | 130 ft-lbs | 165 ft-lbs |
| 3/4 | 185 ft-lbs | 280 ft-lbs | 18MM | 170 ft-lbs | 240 ft-lbs |

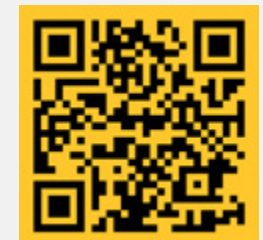
THE ABOVE SPECIFICATIONS ARE NOT TO BE USED WHEN THE BOLT IS BEING INSTALLED WITH A BUSHING.

COLDER CLIMATE TIPS

In the winter months, to keep your air system from freezing, we recommend adding CRC air brake antifreeze. This can be purchased at most automotive parts houses. We recommend that you add two caps (about 1 ounce) to the system through the compressor intake. To do this, you should adjust the suspension to deplete the air in the tank so the compressor will be running while you do this process. You want to slowly add the antifreeze to the system so it has time to vaporize and coat everything. You will need to do this periodically depending on how much use the vehicle has. Generally, once every two weeks will but can vary.

TROUBLESHOOTING & TECHNICAL SUPPORT

MORE INFO?
ACCUAIR DOCUMENT LIBRARY



PHONE: 833-247-3696
HOURS: MONDAY - FRIDAY 8:00AM - 6:00 PM (EST)



ACCUAIR



www.AccuAir.com | 833.247.3696
200 Sea Ray Drive, Merritt Island, FL 32953