



INSTALLATION INSTRUCTIONS

UNIVERSAL ROLL BAR FOR TOYOTA TACOMA 15-21

**& CHEVY COLORADO 15-21 & 15-21 GMC CANAYON (FLAT BASE
WITH LED BRAKE LIGHT)**

PART # RB003SS

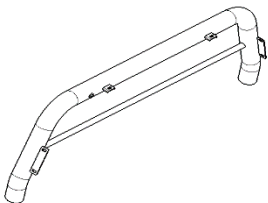
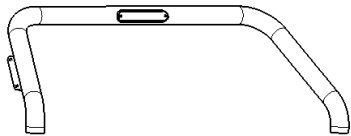
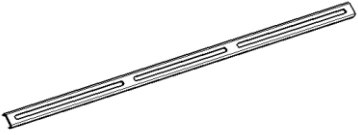
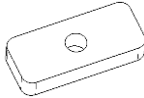
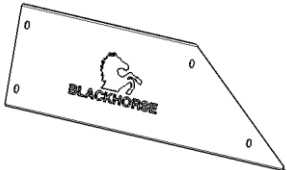
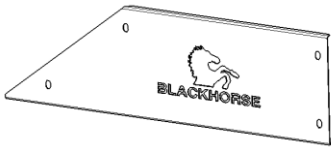
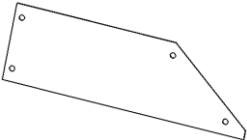
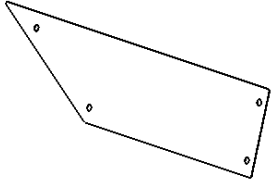
Before Installation

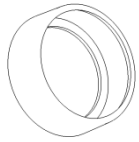
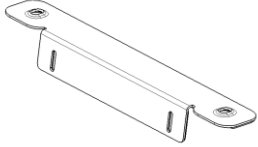
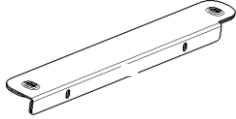
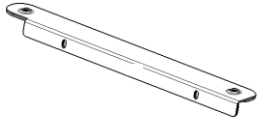
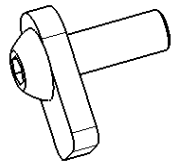
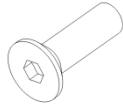

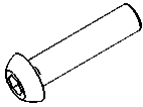
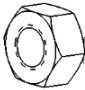

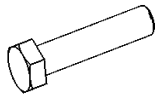
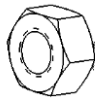


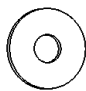

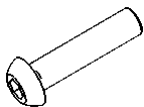
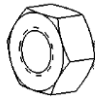
- Please read the instruction completely for easy installation, which will also help you to avoid scratches or other potential damages to your appealing car.
- The figures here are for reference only and may have differences with the actual product you received, however they share the same assembly way.

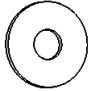





Care and Cleaning

- Mild soap may be used also to clean the Product.
- Please periodically check and retighten all the hardware and clean the investment for a refresh look.

Parts list

NO.	QTY	NAME	NO.	QTY	NAME
①	1	 Pipe 1	②	1	 Pipe 2
③	1	 Connecting plate (FOR LED LIGHT INSTALLATION)	④	2	 Block
⑤	1	 Decoration plate-L	⑥	1	 Decoration plate-R
⑦	2	 Red decoration plate	⑧	2	 Decoration plate backboard

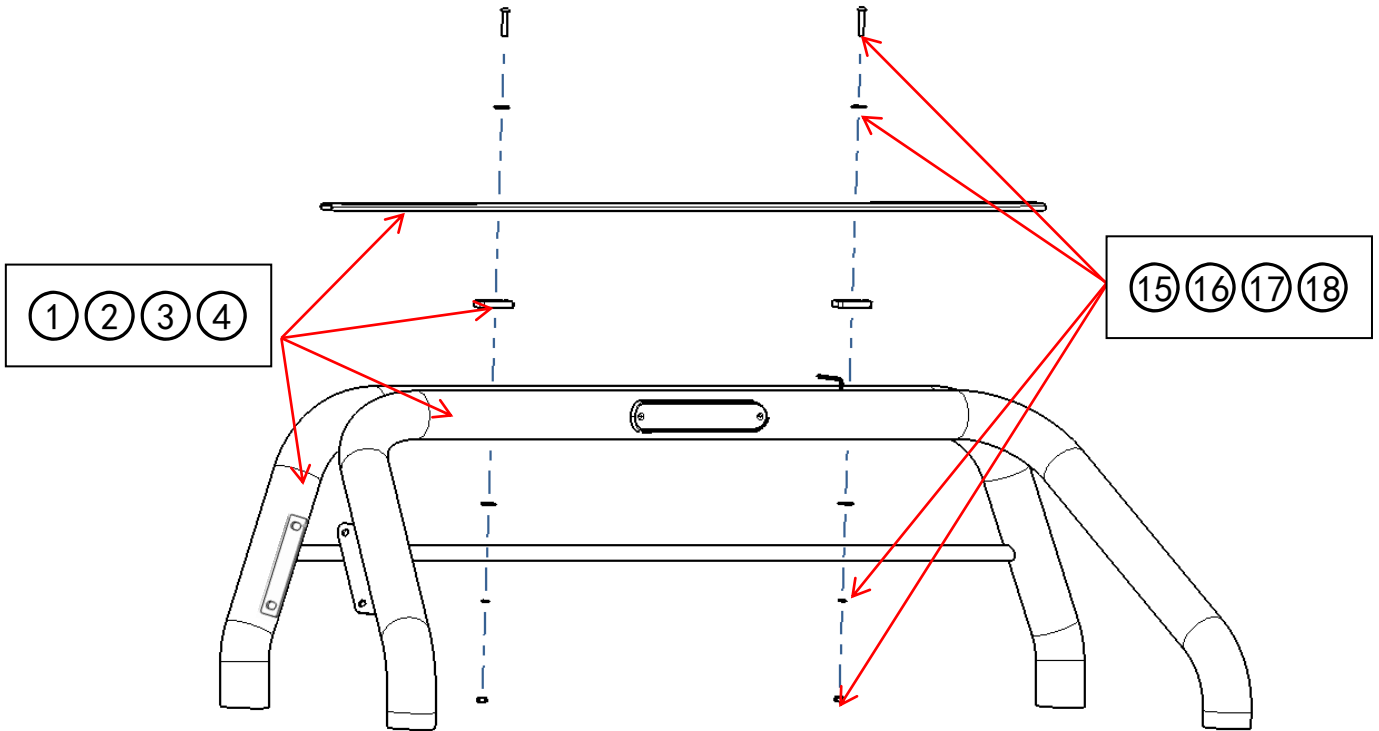
⑨	4	 Gum cover	⑩	2	 Bracket (TACOMA)
⑪	1	 L-bracket (FOR COLORADO)	⑫	1	 R-bracket (FOR COLORADO)
⑬	4	 T-bolt M8_28	⑭	4	 Flat head allen bolts M12_40
⑮	2	 Spring washer D8	⑯	2	 Button head allen bolts M8_40
⑰	2	 Hex nut M8	⑱	4	 Flat washer D8
⑲	4	 Hex nut M10_35	⑳	4	 Hex nut M10
㉑	4	 Spring washer D10	㉒	8	 Flat washer D10
㉓	16	 Flat washer D6	㉔	8	 Spring washer D6
㉕	8	 Button head allen bolts M6_20	㉖	8	 Hex nut M6

<p>②⑦</p>	<p>4</p>	 <p>Extra flat washer D8</p>	<p>②⑧</p>	<p>4</p>	 <p>Hex nut M8</p>
<p>②⑨</p>	<p>1</p>	 <p>Allen wrench S=4</p>	<p>③⑩</p>	<p>1</p>	 <p>Allen wrench S=2.5</p>
<p>③①</p>	<p>1</p>	 <p>Allen wrench S=8</p>	<p>③②</p>	<p>1</p>	 <p>Allen wrench S=5</p>

Installation Steps

Step1: Assemble ① and ② with standard parts. Lock all the standard parts after adjust the position.

Use standard parts ⑮ ⑯ ⑰ ⑱ to connect ① ② ③ ④.

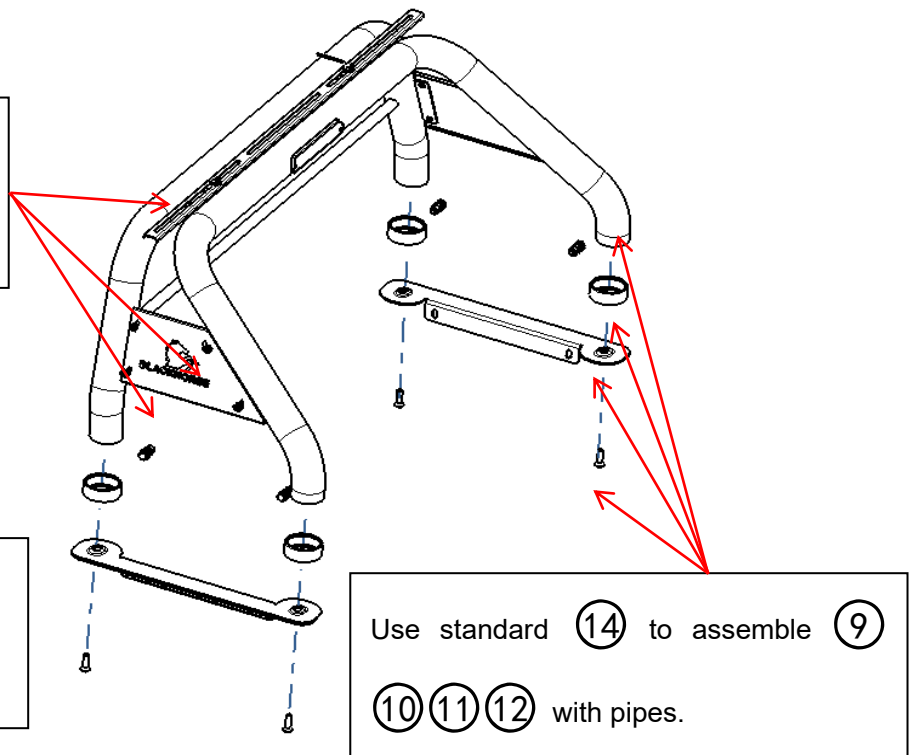


Step2: Assemble decoration plates and brackets with pipes. Lock all the standard parts after adjust the position.

Use standard ⑳ ㉑ ㉒ ㉓ to connect ⑤ ⑥ ⑦ ⑧.

Use ⑩ -2pcs for TACOMA.

Use ⑪ ⑫ for COLORADO.



Use standard ⑭ to assemble ⑨ ⑩ ⑪ ⑫ with pipes.

Step3:

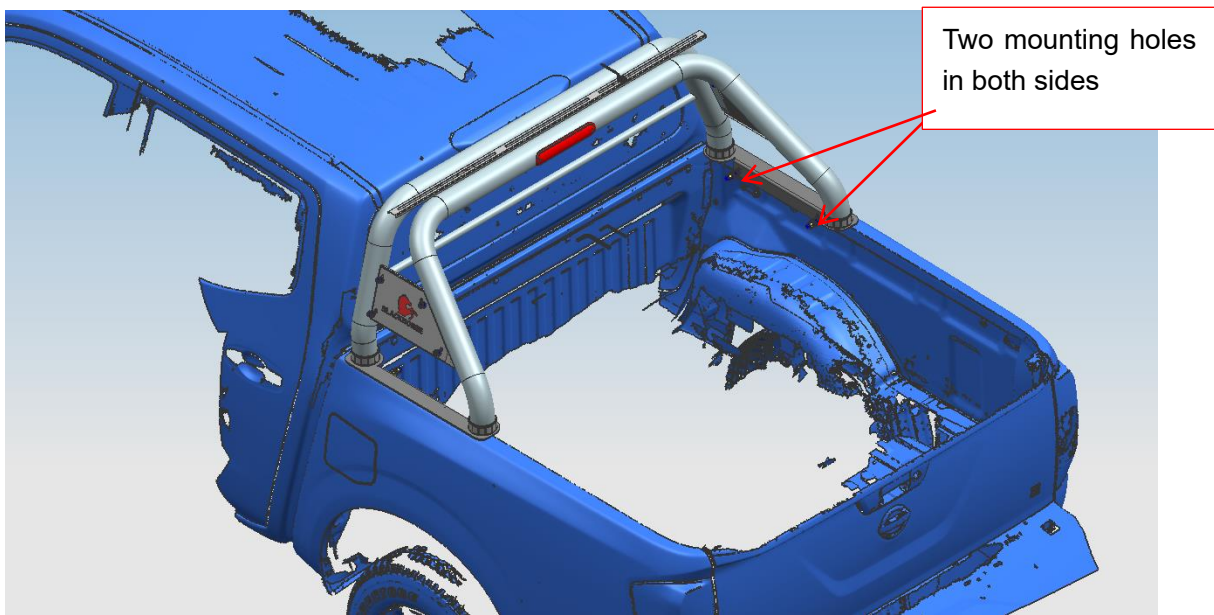
Place the roll bar on the truck in an appropriate location. And mark the hole with pen. 2 places in each part, total are 4 places. Remove the product.

For COLORADO:

Drill $\Phi 12$ size of holes, then place the roll bar on the truck and fixed with ①⑨ ②⑩ ③⑪ ④⑫.

For TACOMA:

Place the roll bar on the truck and fixed with ⑬ ⑭ ⑮.



NOTE

Any damages and losses caused by improper installation and application, goes beyond our quality warranty.