

R-9540

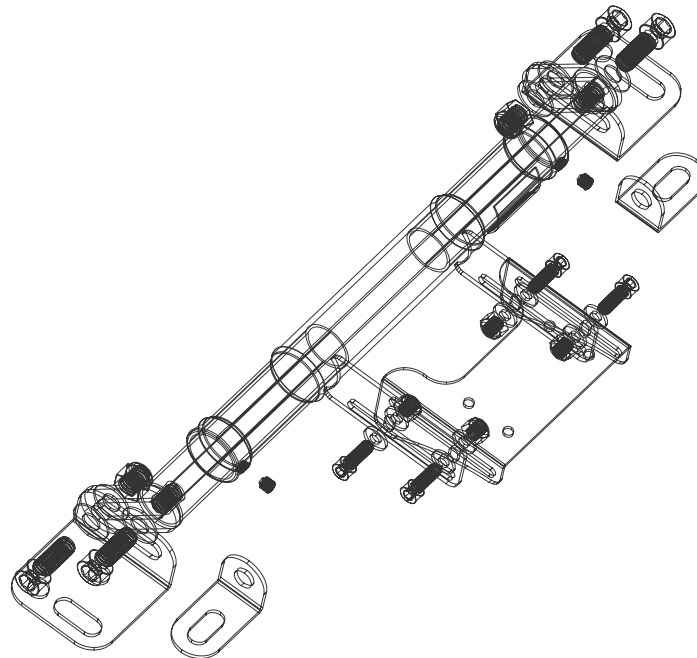
UNIVERSAL FIRE EXTINGUISHER INSTALLATION INSTRUCTIONS

There are three possible arrangements for this fire ext. mount.

- (A) Mounted between the seat side mount and the slider. Or over the top of the side mount base.
- (B) Mounted below the sliders, or on any stationary mounting bolts in front of the seat.
- (C) Mounted behind the passenger seat on top or below the sliders.

Arrangement A and C (mounted over the sliders) are usually the preferred choice for it allow the fire extinguisher to move as you adjust your seat.

1) Assemble the mount in the following manner.



- 2) Test fit in your preferred mounting arrangement A B or C.
- 3) Switch around the mountings and extend or shorten the body and mounting plate as necessary.
- 4) Finger tighten all bolts nuts and set screws when the right array is found.
- 5) Install your assembly.
- 6) Make final adjustments.
- 7) Tighten all bolts nuts and set screws.

Performance driving events are by nature potentially hazardous to your health. Brey-Krause Mfg. Co. Inc. shall not be liable for injury, consequential, or other types of damages resulting from the use or misuse of our products. Proper installation of these parts is critical and should only be done by a professional shop.