



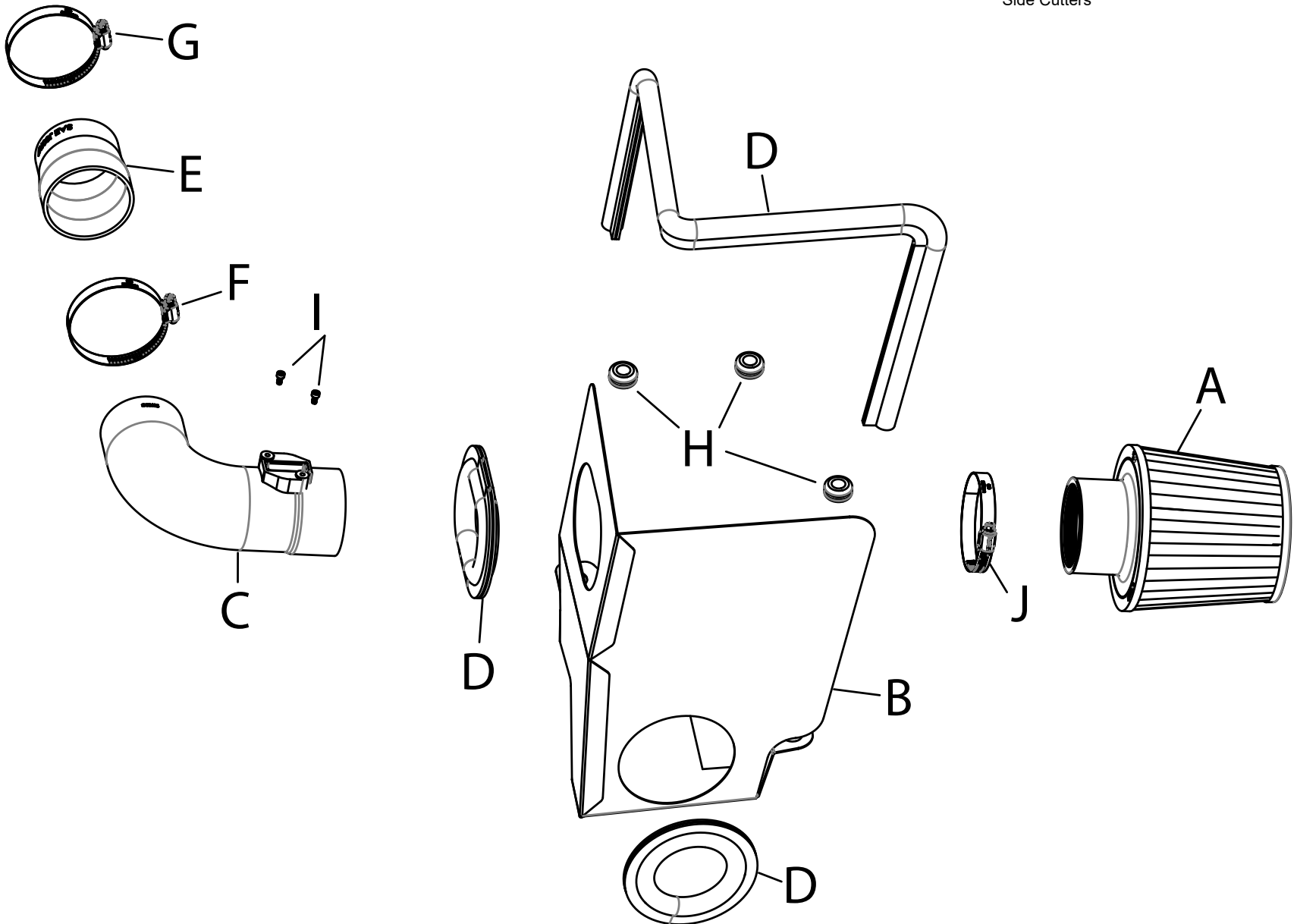
NOT LEGAL FOR SALE OR USE ON ANY POLLUTION CONTROLLED MOTOR VEHICLE IN CALIFORNIA OR STATES ADOPTING CALIFORNIA EMISSION PROCEDURES.
See knfilters.com for CARB status on each part for a specific vehicle

INSTALLATION INSTRUCTIONS

77-2589KC
MAZDA
2023-24 CX-50
L4 - 2.5L TURBO

TOOLS NEEDED:

Flathead Screwdriver
Phillips Screwdriver
Ratchet
Extension
10mm Socket
3mm Allen Key
Side Cutters



PARTS LIST:

Description	Qty.	Part #	Description	Qty.	Part #	Description	Qty.	Part #
A AIR FILTER	1	RU-4990	E HOSE; 3" TO 2.75"ID X 3"L	1	08096	H GROMMET; 1"OD, 1/2"ID	3	08064
B HEATSHIELD	1	074580	F HOSE CLAMP; #48	1	08601	I BOLT; M4-.7 X 8MM	2	07733
C TUBE	1	25930C	G HOSE CLAMP; #44	1	08577	J HOSE CLAMP; #52	1	08610
D EDGE TRIM; 3/4"@ 70"L	1	102454						

If you need any assistance please call 1-800-858-3333 to speak with a representative in our Customer Service Center before returning the product.

NOTE: FAILURE TO FOLLOW INSTALLATION INSTRUCTIONS AND NOT USING THE PROVIDED HARDWARE MAY DAMAGE THE INTAKE TUBE, THROTTLE BODY AND ENGINE.

TO START:

1. Turn off the ignition and disconnect the negative battery cable.
NOTE: Disconnecting the negative battery cable erases pre-programmed electronic memories. Write down all memory settings before disconnecting the negative battery cable. Some radios will require an anti-theft code to be entered after the battery is reconnected. The anti-theft code is typically supplied with your owner's manual. In the event your vehicles anti-theft code cannot be recovered, contact an authorized dealership to obtain your vehicles anti-theft code.



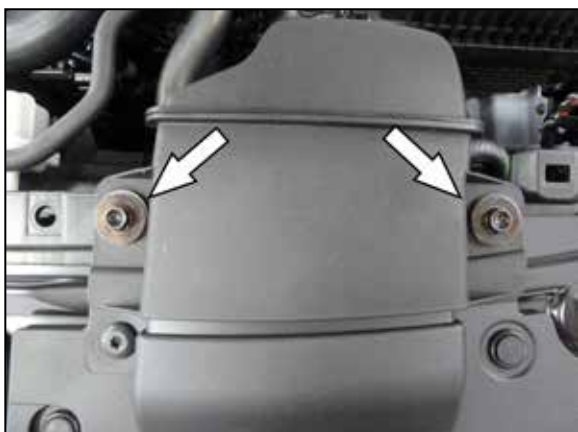
2. Disconnect the mass air sensor electrical connection and then un-hook the wiring harness from the air filter housing lid.



3. Loosen the hose clamp that secures the factory intake hose to the turbo inlet.



4. Release the two spring clips that secure the air filter housing lid, remove the lid and factory air filter.



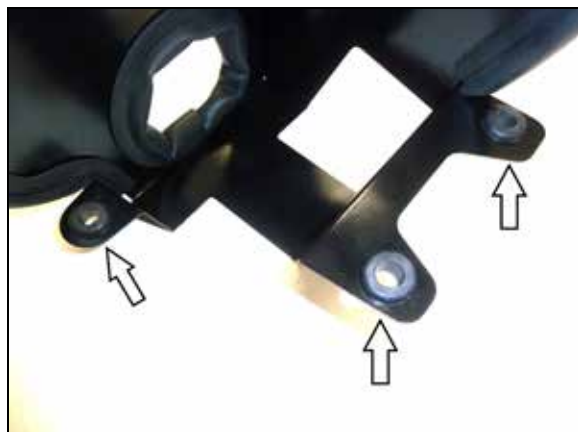
5. Remove the two bolts that secure the fresh air intake duct and then remove the lower air filter housing and intake duct from the vehicle. These bolts will be re-used in a later step.



6. Release the locking tab then rotate the fresh air duct counterclockwise to release it from the lower air filter housing.



7. Cut the provided edge trim into sections of 38-3/4", 15" & 13.5" long then install the edge trim onto the heat shield as shown.



8. Install the three provided grommets into the heat shield as shown.



9. Install the fresh air duct into the K&N heat shield as shown.



10. Install the heat shield assembly into the vehicle guiding the grommets over the mounting studs.



11. Re-install the factory bolts to secure the fresh air duct.



12. Remove the mass air sensor from the factory housing and install it into the K&N intake tube using the provided hardware.



13. Install the step coupler onto the turbo inlet and secure with the provided hose clamp.



14. Route the K&N intake tube into the heatshield and then into the coupler, align for best fit and secure with the provided hose clamp.



15. Install the K&N air filter onto the K&N intake tube and secure with the provided hose clamp.



16. Reconnect the mass air sensor electrical connection.



17. Apply the K&N decal to the intake tube.



18. Reconnect the vehicle's negative battery cable. Double check to make sure everything is tight and properly positioned before starting the vehicle.

19. It will be necessary for all K&N® high flow intake systems to be checked periodically for realignment, clearance and tightening of all connections. Failure to follow the above instructions or proper maintenance may void warranty.

ROAD TESTING:

1. Start the engine with the transmission in neutral or park, and the parking brake engaged. Listen for air leaks or odd noises. For air leaks secure hoses and connections. For odd noises, find cause and repair before proceeding. This kit will function identically to the factory system except for being louder and much more responsive.

2. Test drive the vehicle. Listen for odd noises or rattles and fix as necessary.

3. If road test is fine, you can now enjoy the added power and performance from your kit.

4. K&N Engineering, Inc., requires cleaning the intake system's air filter element every 100,000 miles. When used in dusty or off-road environments, our filters will require cleaning more often. We recommend that you visually inspect your filter once every 25,000 miles to determine if the screen is still visible. When the screen is no longer visible some place on the filter element, it is time to clean it. To clean and re-oil, purchase our filter Recharger® service kit, part number 99-5050 or 99-5000 and follow the easy instructions.

NOT LEGAL FOR SALE OR USE ON ANY POLLUTION CONTROLLED MOTOR VEHICLE IN CALIFORNIA OR STATES ADOPTING CALIFORNIA EMISSION PROCEDURES.

See knfilters.com for CARB status on each part for a specific vehicle